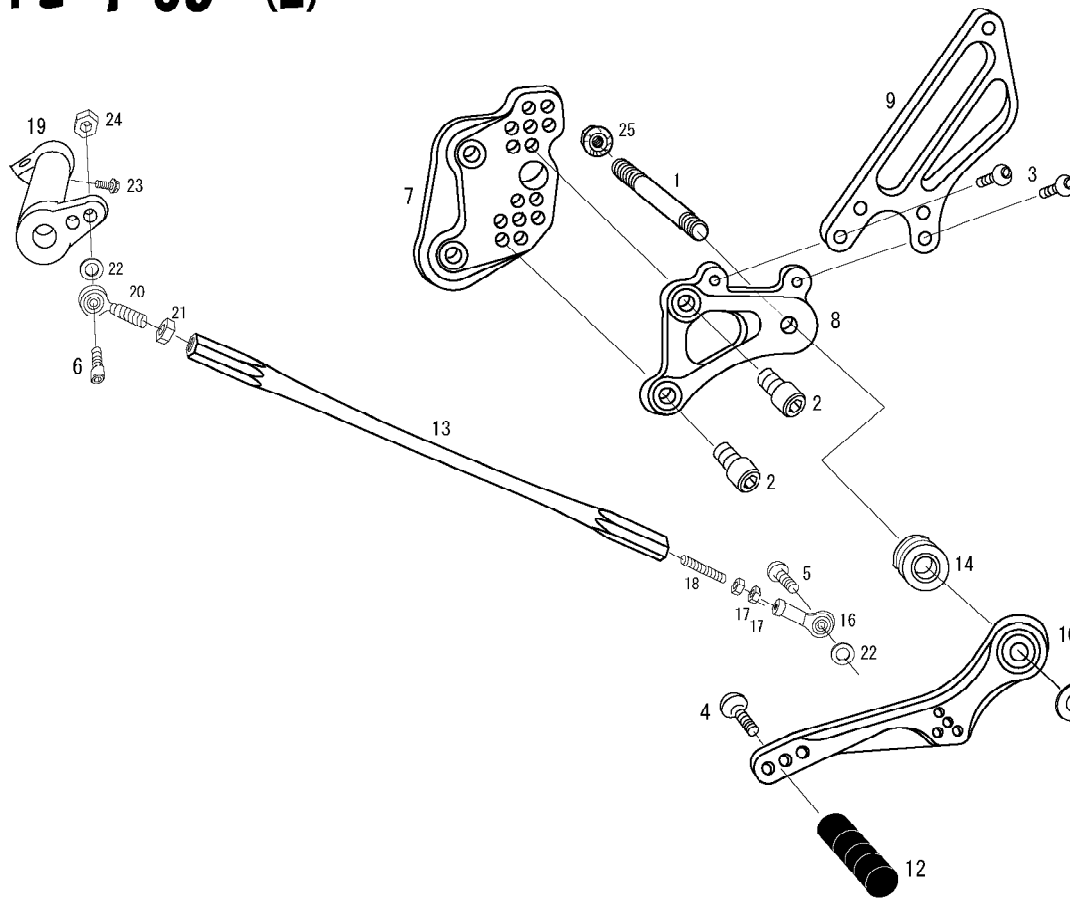


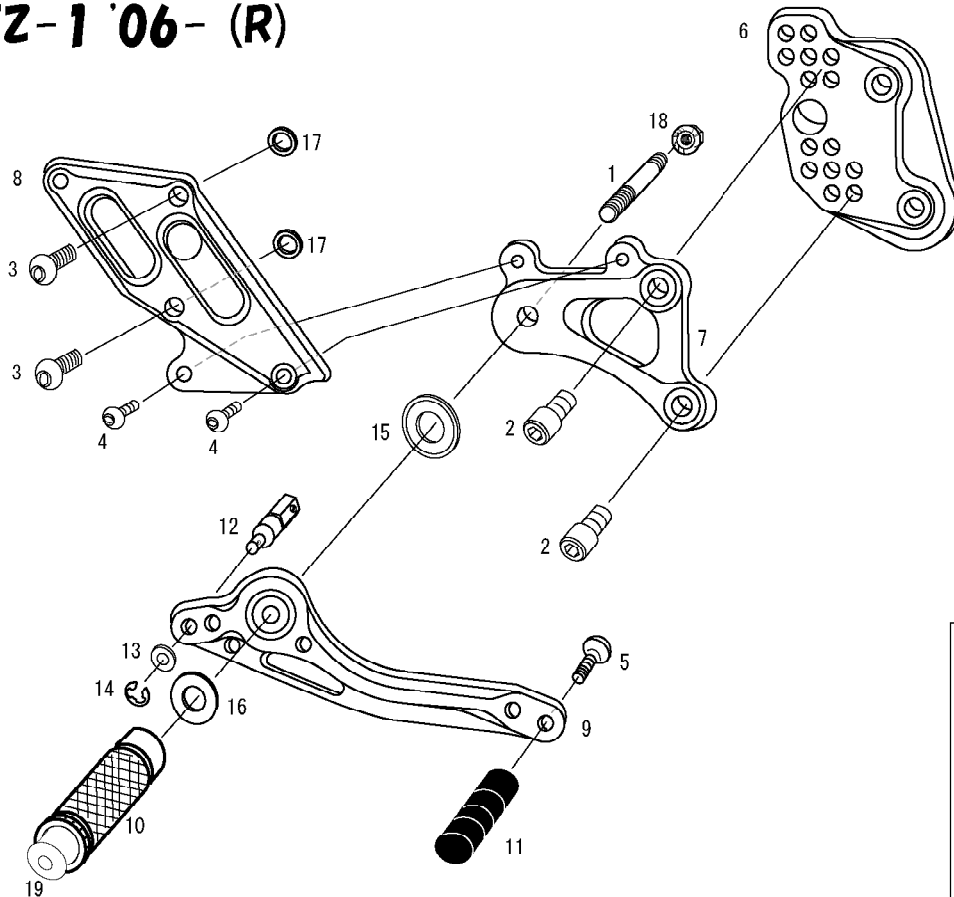
FZ-1 '06- (L)



1. STUD BOLT LONG
2. SOCKET HEAD M8 × 15mm × 2
3. BUTTON HEAD M6 × 10mm × 2
4. BUTTON HEAD M6 × 20mm
5. BUTTON HEAD M6 × 20mm
6. SOCKET HEAD M6 × 25mm
7. BASE PLATE [L]
8. STEP PLATE [L]
9. HEEL GUARD [L] (HG3)
10. SHIFT PEDAL (SPD4)
11. FOOT PEG
12. PEDAL TIP DELRIN
13. SHIFT ROD 220
14. FOOT PEG BEARING COLLAR 12.5
15. PEG WASHER M8
16. FEMALE ROD END M6
17. JAM NUT M6 × 2
18. STUD M6
19. CHANGE ARM L (BK)
20. MALE REVERSE ROD END M6
21. REVERSE JAM M6
22. ROD END COLLAR 3mm × 2
23. FLANGE BOLT M6 × 20mm
24. PLAIN NUT M6
25. FLANGE NUT M8
26. FOOT PEG END CAP



FZ-1 '06- (R)



1. STUD BOLT SHORT
2. SOCKET HEAD M8 × 15mm × 2
3. BUTTON HEAD M8 × 20mm × 2
4. BUTTON HEAD M6 × 10mm × 2
5. BUTTON HEAD M6 × 20mm
6. BASE PLATE [R]
7. STEP PLATE [R]
8. MASTER STAY
9. BRAKE PEDAL 150 (BPD1)
10. FOOT PEG
11. PEDAL TIP DELRIN
12. BRAKE ROD M40
13. PLAIN WASHER M6
14. E-CLIP
15. BEARING COLLAR SUS
16. PEG WASHER M8
17. MASTER COLLAR 3 (BK)
18. FLANGE NUT M8
19. FOOT PEG END CAP

POSITIONS

1	10mm Back	10mm Up
2	10mm Back	20mm Up
3	20mm Back	10mm Up
4	20mm Back	20mm Up
5	20mm Back	30mm Up
6	30mm Back	20mm Up
7	30mm Back	30mm Up

All measurements are in relation to stock position (0 mm)