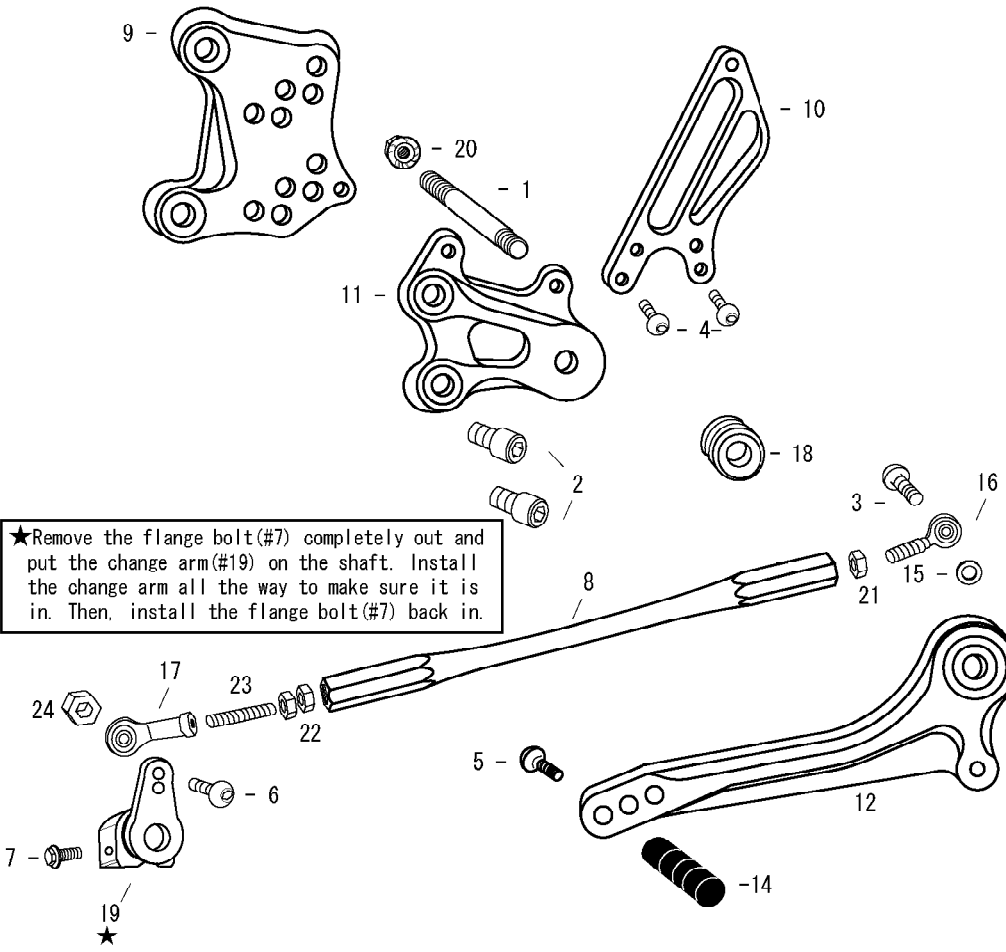


Aprilia RSV1000 R/Factory Type1 (L)

1. STUD BOLT LONG
2. SOCKET HEAD M8×15mm ×2
3. BUTTON HEAD M6×20mm
4. BUTTON HEAD M6×10mm ×2
5. BUTTON HEAD M6×20mm
6. BUTTON HEAD M6×25mm
7. FLANGE HEAD M6×20mm
8. SHIFT ROD 130
9. BASE PLATE [L]
10. HEEL GUARD [L] (HG3)
11. STEP PLATE [L]
12. SHIFT PEDAL 70-2 (SPD6)
13. FOOT PEG
14. PEDAL TIP DELRIN
15. ROD END COLLAR 3
16. MALE REVERSE ROD END M6
17. FEMALE ROD END M6
18. FOOT PEG BEARING COLLAR 10
19. CHANGE ARM S (BK)
20. FLANGE NUT M8
21. REVERSE JAM NUT M6
22. JAM NUT M6
23. STUD M6
24. PLAIN NUT M6
25. PEG WASHER M8
26. FOOT PEG END CAP

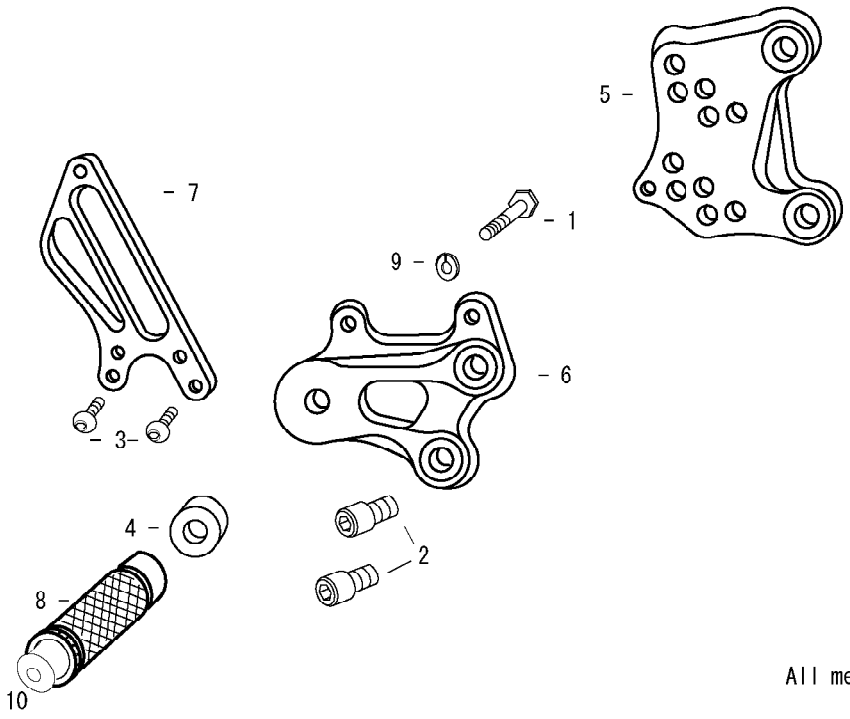


★Remove the flange bolt(#7) completely out and put the change arm(#19) on the shaft. Install the change arm all the way to make sure it is in. Then, install the flange bolt(#7) back in.



Aprilia RSV1000 R/Factory Type1 (R)

1. HEX BOLT M8×45mm
2. SOCKET HEAD M8×15mm ×2
3. BUTTON HEAD M6×10mm ×2
4. FOOT PEG COLLAR 12
5. BASE PLATE [R]
6. STEP PLATE [R]
7. HEEL GUARD [R] (HG3)
8. FOOT PEG
9. SPLIT WASHER M8
10. FOOT PEG END CAP



POSITIONS		
1	10mm Forward	10mm Up
2	0mm	10mm Up
3	0mm	20mm Up
4	10mm Back	10mm Up
5	10mm Back	20mm Up

All measurements are in relation to stock position (0 mm)