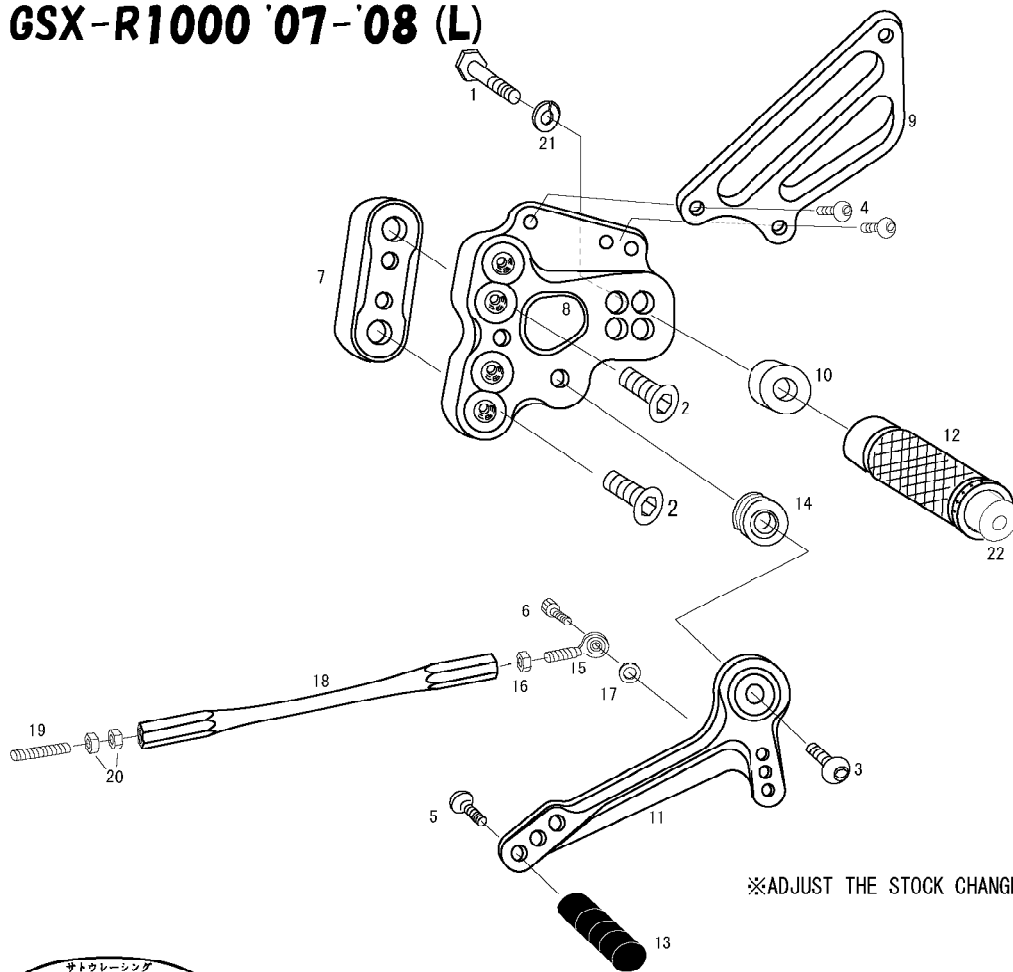


GSX-R1000 '07-'08 (L)

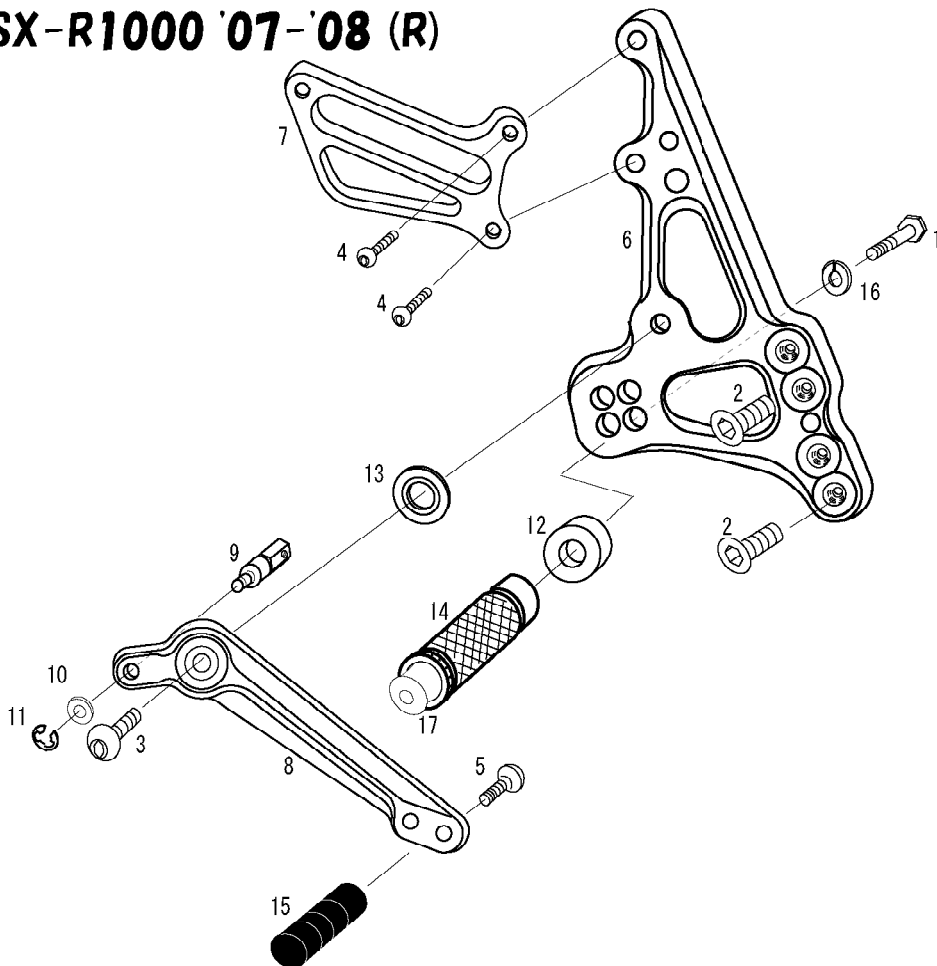


1. HEX BOLT M8 × 45mm
2. FLAT HEAD M8 × 35mm × 2
3. BUTTON HEAD M8 × 35mm
4. BUTTON HEAD M6 × 10mm × 2
5. BUTTON HEAD M6 × 20mm
6. SOCKET HEAD M6 × 20mm
7. BASE PLATE COLLAR 10 (BK)
8. STEP PLATE [L]
9. HEEL GUARD [L] (HG2)
10. FOOT PEG COLLAR 12
11. SHIFT PEDAL 65S (SPD9)
12. FOOT PEG
13. PEDAL TIP DELRIN
14. FOOT PEG BEARING COLLAR 12.5
15. MALE REVERSE ROD END M6
16. REVERSE JAM NUT M6
17. ROD END COLLAR 3
18. SHIFT ROD 110
19. STUD M6
20. JAM NUT M6 × 2
21. SPLIT WASHER M8
22. FOOT PEG END CAP

※ADJUST THE STOCK CHANGE ARM WHEN INSTALLING SATO REAR SETS.



GSX-R1000 '07-'08 (R)



1. HEX BOLT M8 × 45mm
2. FLAT HEAD M8 × 25mm × 2
3. BUTTON HEAD M8 × 25mm
4. BUTTON HEAD M6 × 25mm × 2
5. BUTTON HEAD M6 × 20mm
6. STEP PLATE [R]
7. HEEL GUARD [R] (HG1)
8. BRAKE PEDAL (BPD9)
9. BRAKE ROD M
10. PLAIN WASHER M6
11. E-CLIP
12. FOOT PEG COLLAR 15
13. BEARING COLLAR SUS
14. FOOT PEG
15. PEDAL TIP DELRIN
16. SPLIT WASHER M8
17. FOOT PEG END CAP

POSITIONS		
1	0mm Back	14mm Up
2	0mm Back	24mm Up
3	10mm Back	14mm Up
4	10mm Back	24mm Up
5	2.5mm Back	29mm Up
6	2.5mm Back	39mm Up
7	12.5mm Back	29mm Up
8	12.5mm Back	39mm Up

OUR REAR SETS TRIPLES THE NUMBER OF POSSIBLE MOUNTING POSITIONS TO 24. COMPARED TO 3 POSITIONS PROVIDED BY THE STOCK MOUNT.