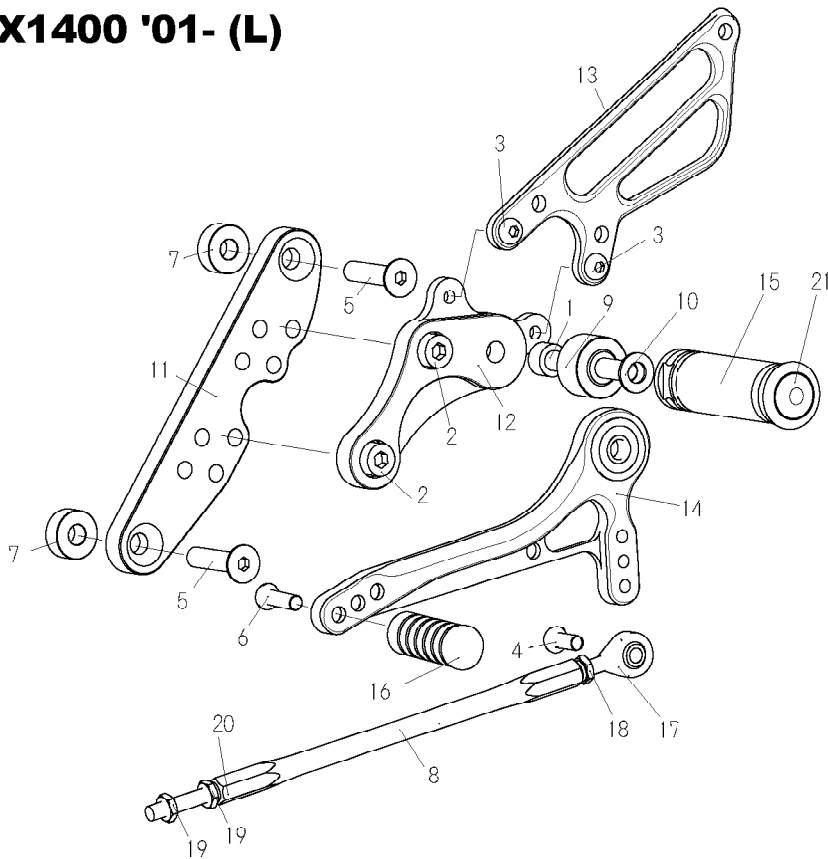


## GSX1400 '01- (L)

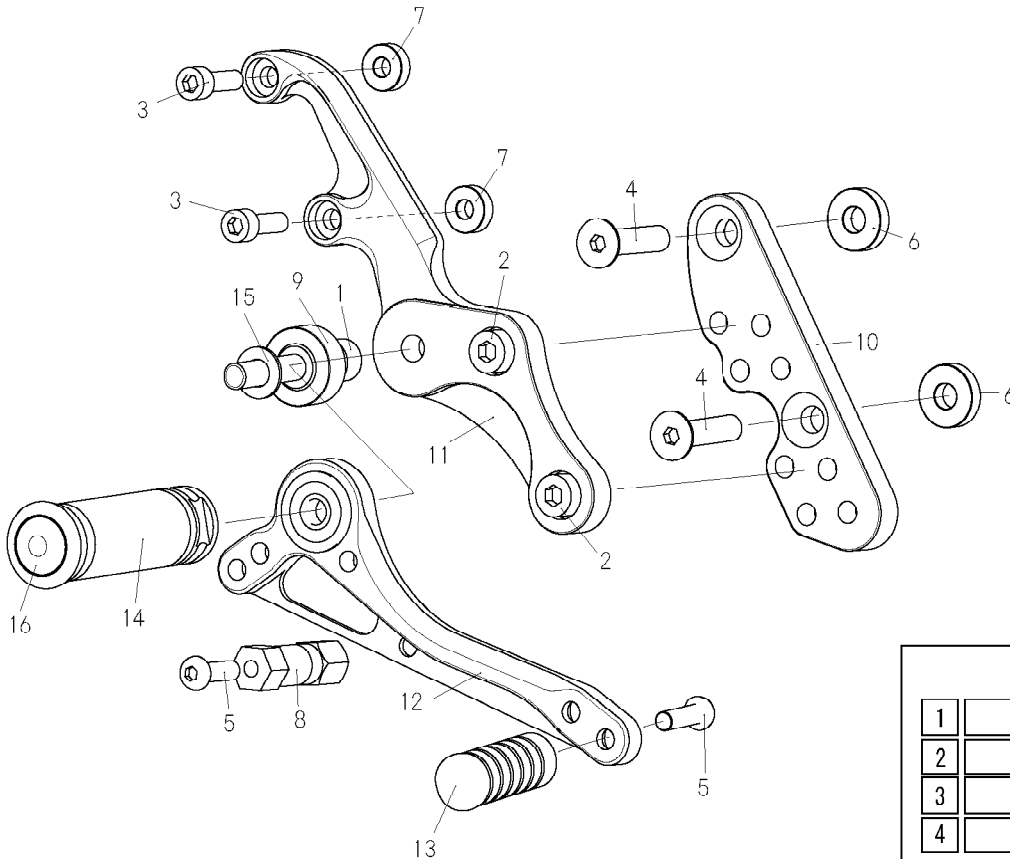


1. SOCKET HEAD M8 × 55mm
2. SOCKET HEAD M8 × 15mm × 2
3. BUTTON HEAD M6 × 10mm × 2
4. BUTTON HEAD M6 × 15mm
5. FLAT HEAD M8 × 30mm × 2
6. BUTTON HEAD M6 × 20mm
7. BASE PLATE COLLAR 8 (BK) × 2
8. SHIFT ROD 180
9. FOOT PEG BEARING COLLAR 15
10. PEG WASHER M8
11. BASE PLATE [L] (BK)
12. STEP PLATE [L]
13. HEEL GUARD [L] (HG3)
14. SHIFT PEDAL 70 (SPD2)
15. FOOT PEG
16. PEDAL TIP DELRIN
17. MALE REVERSE ROD END M6
18. REVERSE JAM NUT M6
19. JAM NUT M6 × 2
20. STUD M6
21. FOOT PEG END CAP

※ADJUST THE STOCK CHANGE ARM WHEN INSTALLING SATO REAR SETS.



## GSX1400 '01- (R)



1. SOCKET HEAD M8 × 55mm
2. SOCKET HEAD M8 × 15mm × 2
3. SOCKET HEAD M6 × 20mm × 2
4. FLAT HEAD M8 × 30mm × 2
5. BUTTON HEAD M6 × 20mm
6. BASE PLATE COLLAR 5 (BK) × 2
7. MASTER COLLAR 5 (BK) × 2
8. BRAKE ROD (BRD-L2)
9. FOOT PEG BEARING COLLAR 10
10. BASE PLATE [R] (BK)
11. STEP PLATE [R]
12. BRAKE PEDAL 105 (BPD4)
13. PEDAL TIP DELRIN
14. FOOT PEG
15. PEG WASHER M8
16. FOOT PEG END CAP

POSITIONS		
1	10mm Back	25mm Up
2	25mm Back	25mm Up
3	15mm Back	40mm Up
4	30mm Back	40mm Up

All measurements are in relation to stock position (0 mm)