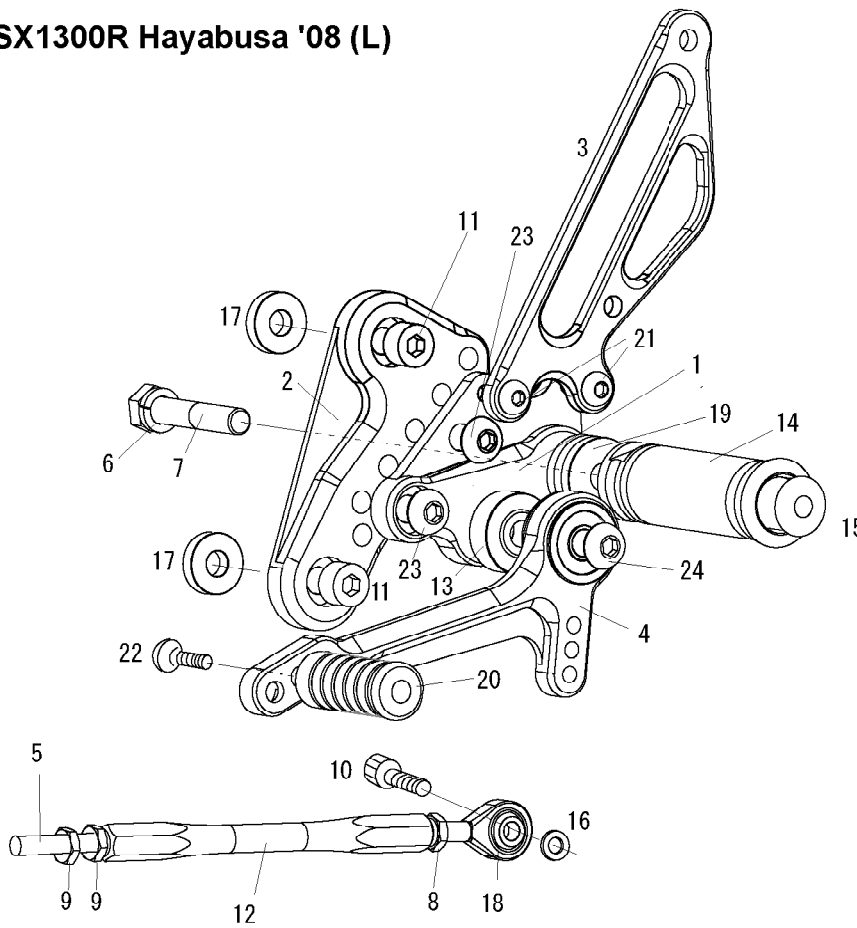


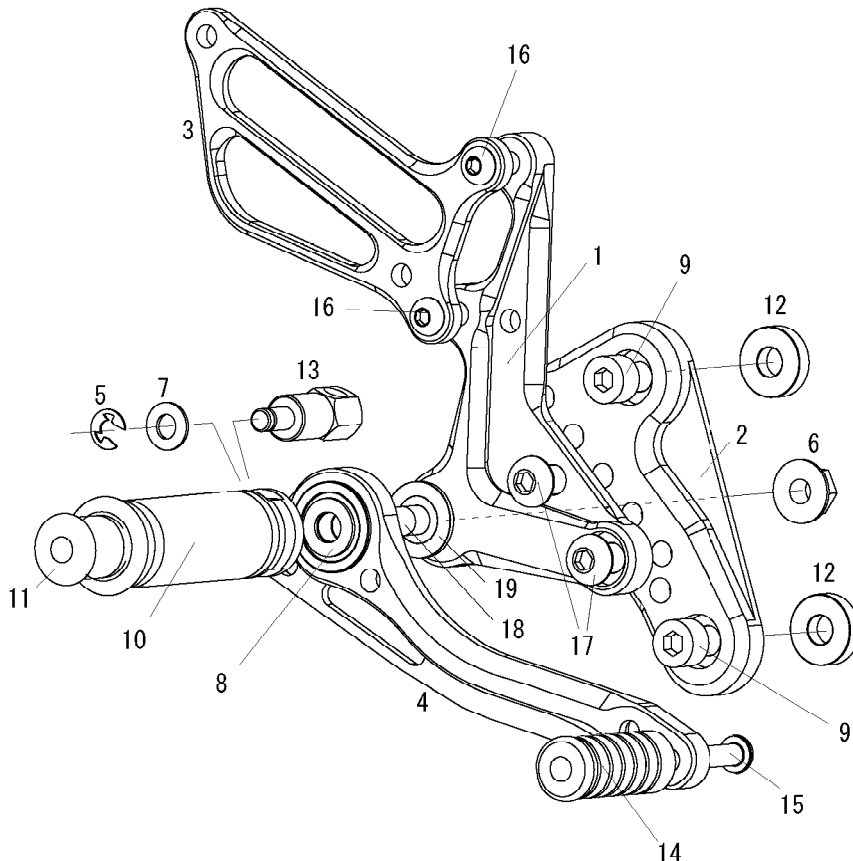
GSX1300R Hayabusa '08 (L)



1. STEP PLATE [L]
2. BASE PLATE [L]
3. HEEL GUARD [L] (HG8)
4. SHIFT PEDAL 65s (SPD9)
5. STUD M6
6. SPLIT WASHER M8
7. HEX BOLT M8×45mm
8. REVERSE JAM NUT M6
9. JAM NUT M6 ×2
10. SOCKET HEAD M6×20mm
11. SOCKET HEAD M8×25mm ×2
12. SHIFT ROD 120
13. FOOT PEG BEARING COLLAR 10
14. FOOT PEG
15. FOOT PEG END CAP
16. ROD END COLLAR 3
17. BASE PLATE COLLAR 5 (BK) ×2
18. MALE REVERSE ROD END M6
19. FOOT PEG COLLAR 12
20. PEDAL TIP DELRIN
21. BUTTON HEAD M6×10mm ×2
22. BUTTON HEAD M6×20mm
23. BUTTON HEAD M8×15mm ×2
24. BUTTON HEAD M8×35mm



GSX1300R Hayabusa '08 (R)



1. STEP PLATE [R]
2. BASE PLATE [R]
3. HEEL GUARD [R] (HG1)
4. BRAKE PEDAL 150 (BPD1)
5. E CLIP M6
6. FLANGE NUT M8
7. PLAIN WASHER M6
8. PEG WASHER M8
9. SOCKET HEAD M8×25mm ×2
10. FOOT PEG
11. FOOT PEG END CAP
12. BASE PLATE COLLAR 5 (BK) ×2
13. BRAKE ROD M40
14. PEDAL TIP DELRIN
15. BUTTON HEAD M6×20mm
16. BUTTON HEAD M6×25mm ×2
17. BUTTON HEAD M8×15mm ×2
18. STUD BOLT SHORT
19. BEARING WASHER SUS

