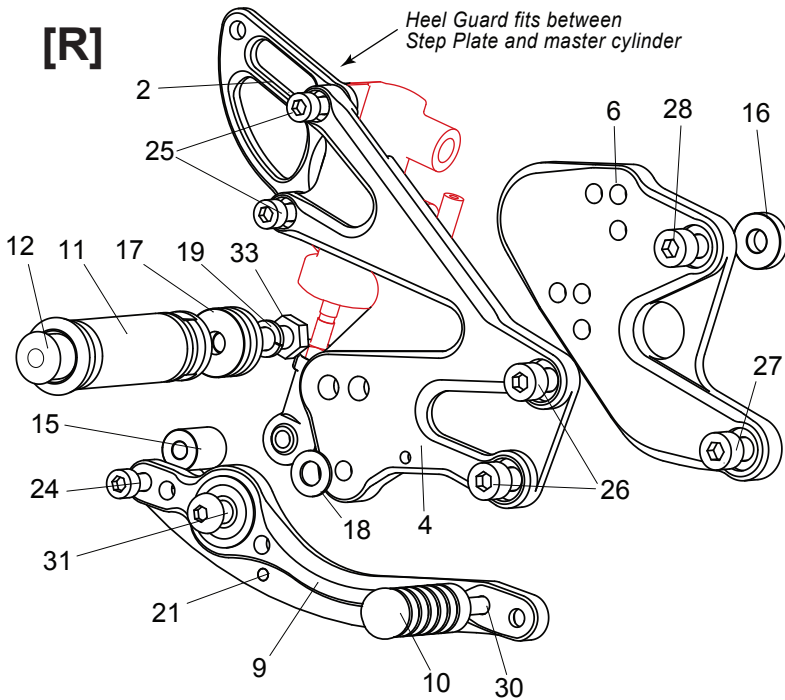


# KTM 1290 SUPER DUKE R ('14-'19)

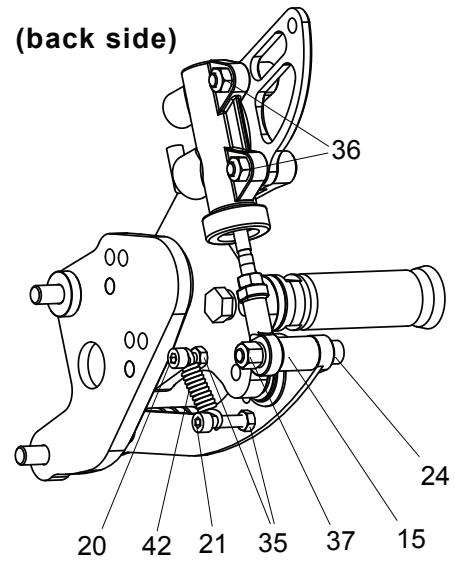
## REAR SETS

part# KTM-1290RS

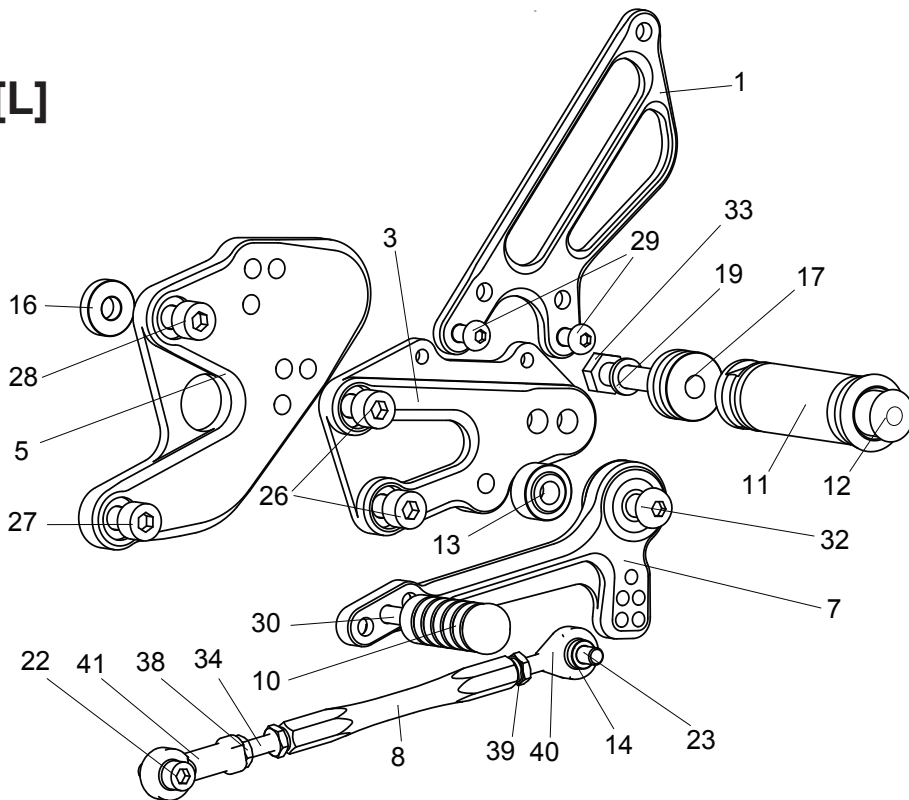
[R]



(back side)



[L]



1. [L] HEEL GUARD [HG-3L]
2. [R] HEEL GUARD [HG-11R]
3. [L] STEP PLATE [KTM-1290SP-L]
4. [R] STEP PLATE [KTM-1290SP-R]
5. [L] BASE PLATE(BK) [KTM-1290BP-LB]
6. [R] BASE PLATE(BK) [KTM-1290BP-RB]
7. SHIFT PEDAL [SPD-0912]
8. SHIFT ROD 100 (BK) [SRD-100]
9. BRAKE PEDAL [BPD-2b]
10. PEDAL TIP (DELRIN) [ST-001D18] x 2
11. FOOT PEG [PEG] x 2
12. FOOT PEG END CAP [ST-002] x 2
13. BEARING COLLAR 10(BK) [PEGBGLR-10SB]
14. ROD END COLLAR 3(GD) [RDED-CLR3]
15. BRAKE ROD 19 (BK) [BRD-CLR19]
16. BASE PLATE COLLAR 5 (BK) [BPCLR-5] x 2
17. PEG COLLAR 12 [PEGCLR-12] x 2
18. PEG WASHER M8 [PWS-8]
19. SPLIT WASHER M8 [SWS-8] x 2
20. SOCKET HEAD M5x15mm [SBT-M515]
21. SOCKET HEAD M5x25mm [SBT-M525]
22. SOCKET HEAD M6x18mm [SBT-M618]
23. SOCKET HEAD M6x20mm [SBT-M620]
24. SOCKET HEAD M6x45mm [SBT-M645]
25. SOCKET HEAD M6x25mm [SBT-M625] x 2
26. SOCKET HEAD M8x15mm [SBT-M815] x 4
27. SOCKET HEAD M8x20mm [SBT-M820] x 2
28. SOCKET HEAD M8x25mm [SBT-M825] x 2
29. BUTTON HEAD M6x10mm [BBT-M610] x 2
30. BUTTON HEAD M6x20mm [BBT-M620] x 2
31. BUTTON HEAD M8x25mm [BBT-M825]
32. BUTTON HEAD M8x35mm [BBT-M835]
33. HEX HEAD M8x40mm [HBT-M840] x 2
34. STUD M6x45mm [STUD-M6]
35. NUT M5 [NUT-5] x 2
36. NUT M6 [NUT-6] x 2
37. LOCK NUT M6 [LNT-6]
38. JAM NUT M6 [JNT-6] x 2
39. REVERSE JAM NUT M6 [JNT-6L]
40. MALE REVERSE ROD END M6 [RDED-M6L]
41. FEMALE ROD END M6 [RDED-F6]
42. RETURN SPRING 8-25 [RS-RSP8-25]