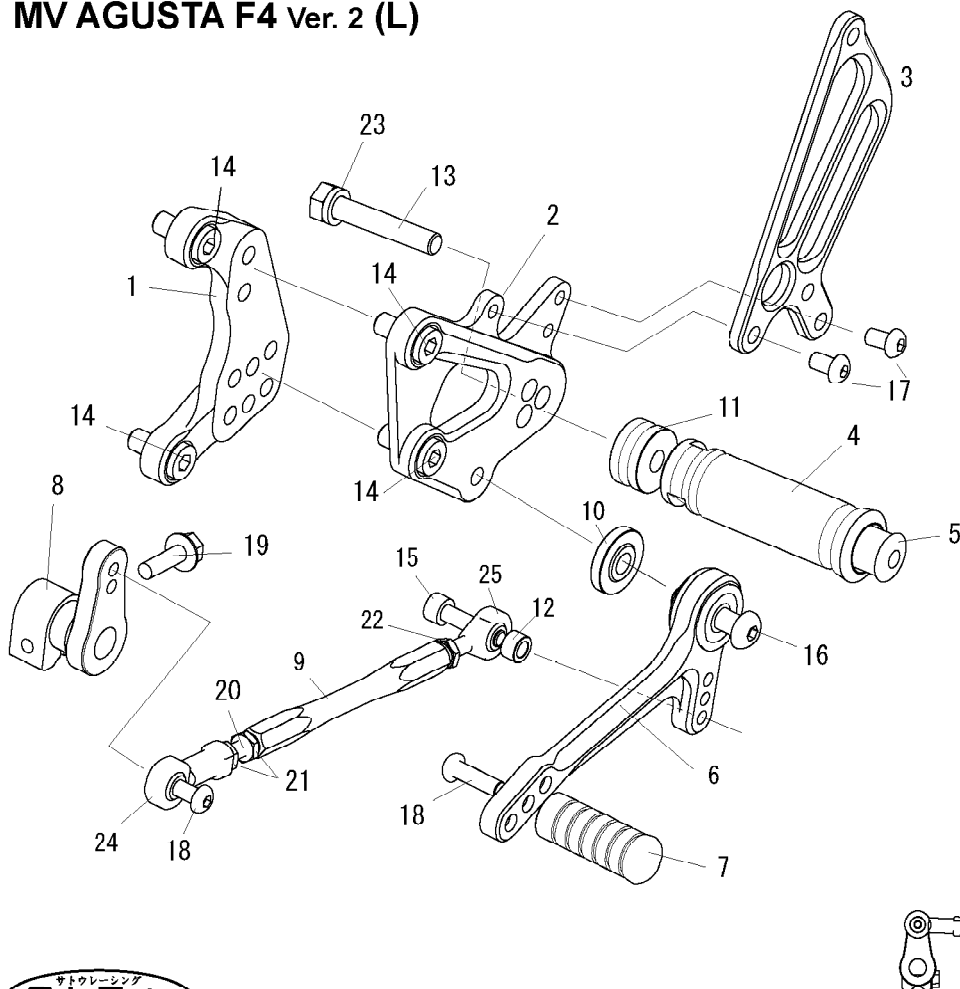


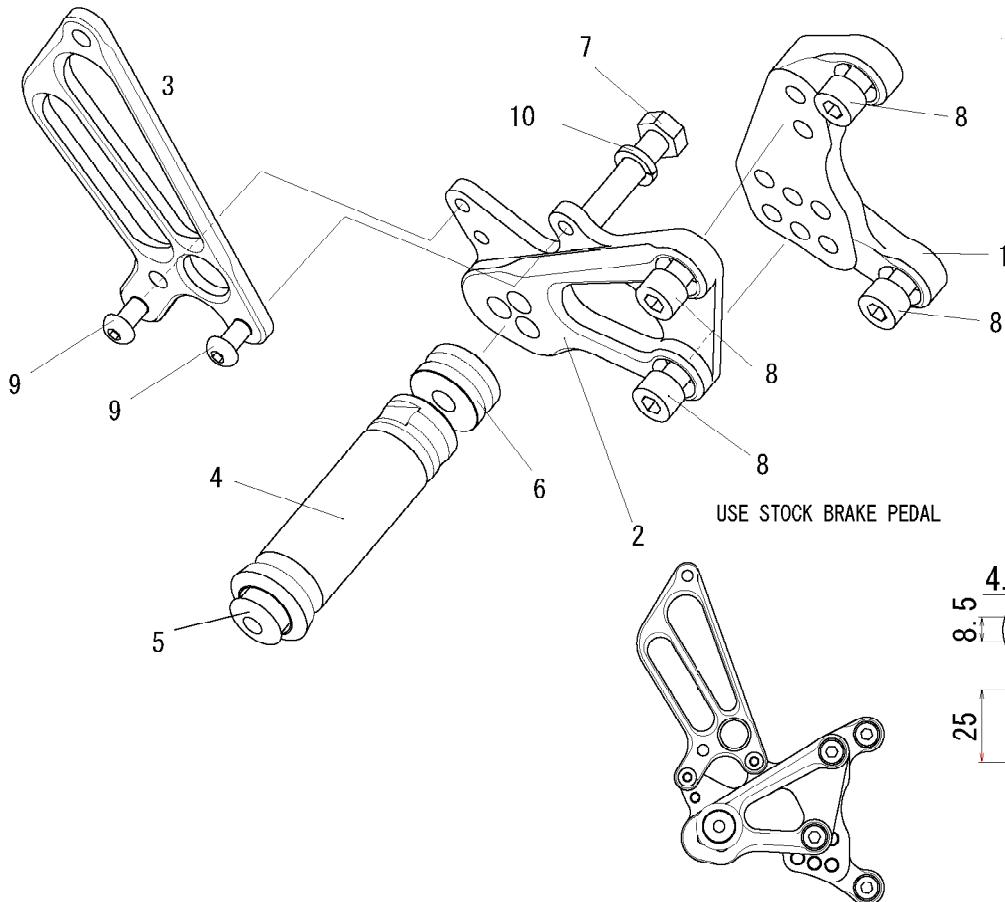
MV AGUSTA F4 Ver. 2 (L)



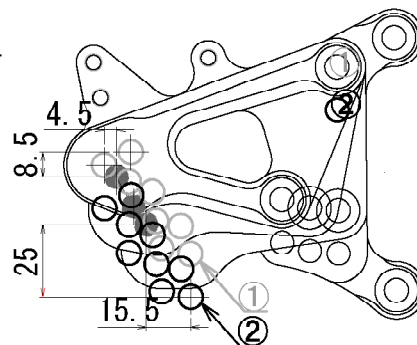
1. BASE PLATE [L]
2. STEP PLATE [L]
3. HEEL GUARD [L] (HG6)
4. FOOT PEG
5. FOOT PEG END CAP
6. SHIFT PEDAL 65S (SPD9)
7. PEDAL TIP DELRIN
8. CHANGE ARM S-II (BK)
9. SHIFT ROD 110
10. FOOT PEG BEARING COLLAR 5
11. FOOT PEG COLLAR 12
12. ROD END COLLAR 6
13. HEX HEAD M8 × 45mm
14. SOCKET HEAD M8 × 15mm × 4
15. SOCKET HEAD M6 × 25mm
16. BUTTON HEAD M8 × 30mm
17. BUTTON HEAD M6 × 10mm × 2
18. BUTTON HEAD M6 × 20mm × 2
19. FLANGE HEAD M6 × 20mm
20. STUD BOLT M6 × 45
21. JAM NUT M6 × 2
22. REVERSE JAM NUT M6
23. SPLIT WASHER M8
24. FEMALE ROD END M6
25. MALE REVERSE ROD END M6



MV AGUSTA F4 Ver. 2 (R)



1. BASE PLATE [R]
2. STEP PLATE [R]
3. HEEL GUARD [R] (HG6)
4. FOOT PEG
5. FOOT PEG END CAP
6. FOOT PEG COLLAR 12
7. HEX HEAD M8 × 45mm
8. SOCKET HEAD M8 × 15mm × 4
9. BUTTON HEAD M6 × 10 × 2
10. SPLIT WASHER M8



● STOCK POSITION