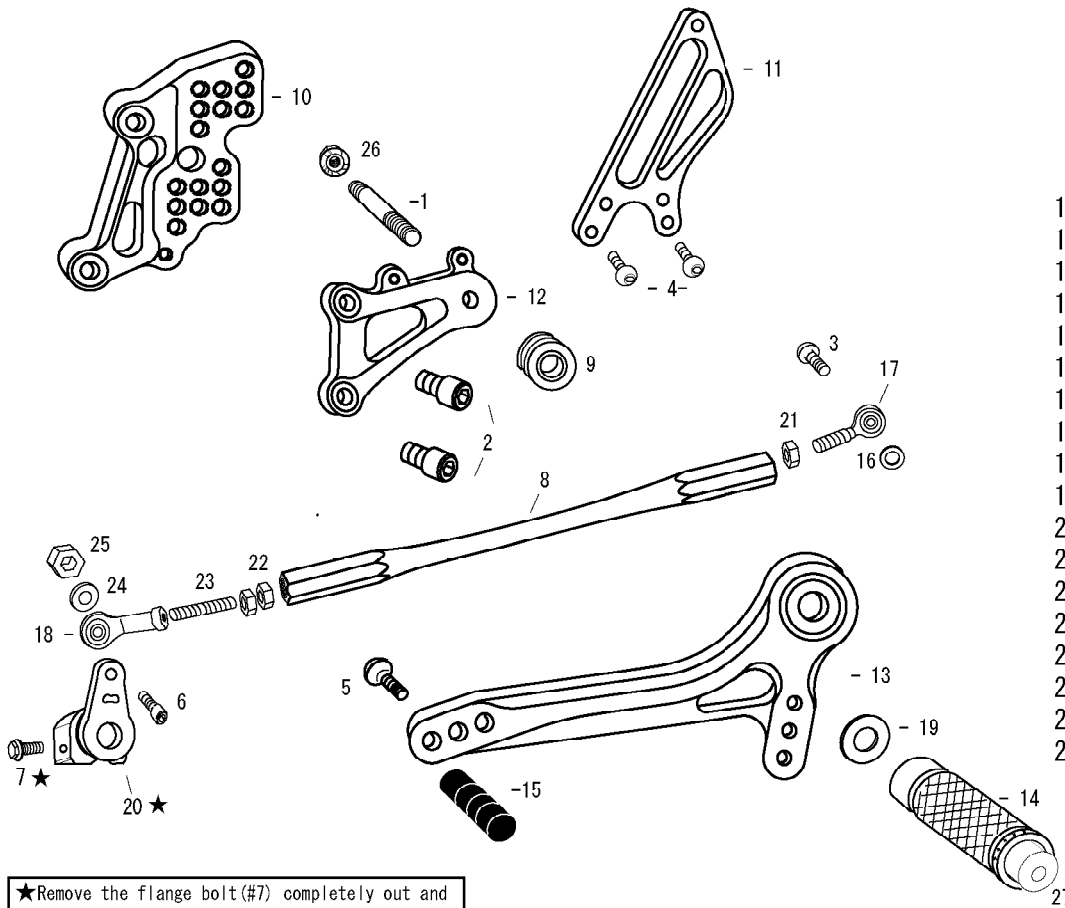


Aprilia RSV1000 Mille/R Type1 (L)

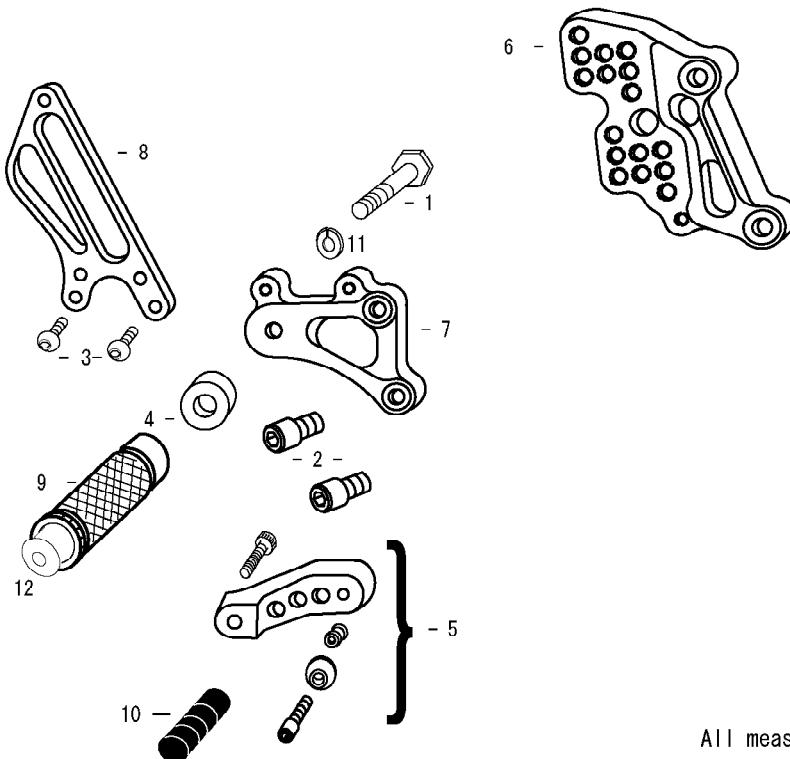


1. STUD BOLT LONG
2. SOCKET HEAD M8 × 15mm × 2
3. BUTTON HEAD M6 × 20mm
4. BUTTON HEAD M6 × 10mm × 2
5. BUTTON HEAD M6 × 20mm
6. SOCKET HEAD M6 × 25mm
7. FLANGE HEAD M6 × 20mm
8. SHIFT ROD 145
9. FOOT PEG BEARING COLLAR 10
10. BASE PLATE [L]
11. HEEL GUARD [L] (HG3)
12. STEP PLATE [L]
13. SHIFT PEDAL 60 (SPD1)
14. FOOT PEG
15. PEDAL TIP DELRIN
16. ROD END COLLAR 3
17. MALE REVERSE ROD END M6
18. FEMALE ROD END M6
19. PEG WASHER M8
20. CHANGE ARM S (BK)
21. REVERSE JAM NUT M6
22. JAM NUT M6 × 2
23. STUD M6
24. PLAIN WASHER M6
25. PLAIN NUT M6
26. FLANGE NUT M8
27. FOOT PEG END CAP

★Remove the flange bolt(#7) completely out and put the change arm(#20) on the shaft. Install the change arm all the way to make sure it is in. Then, install the flange bolt(#7) back in.



Aprilia RSV1000 Mille/R Type1 (R)



1. HEX BOLT M8 × 45mm
2. SOCKET HEAD M8 × 15mm × 2
3. BUTTON HEAD M6 × 10mm × 2
4. FOOT PEG COLLAR 12
5. BRAKE PEDAL ADAPTOR SET
6. BASE PLATE [R]
7. STEP PLATE [R]
8. HEEL GUARD [R] (HG3)
9. FOOT PEG
10. PEDAL TIP DELRIN
11. SPLIT WASHER M8
12. FOOT PEG END CAP

POSITIONS		
1	0mm	0mm
2	0mm	10mm Up
3	0mm	20mm Up
4	10mm Back	10mm Up
5	10mm Back	20mm Up
6	20mm Back	10mm Up
7	20mm Back	20mm Up
8	20mm Back	30mm Up

All measurements are in relation to stock position (0 mm)