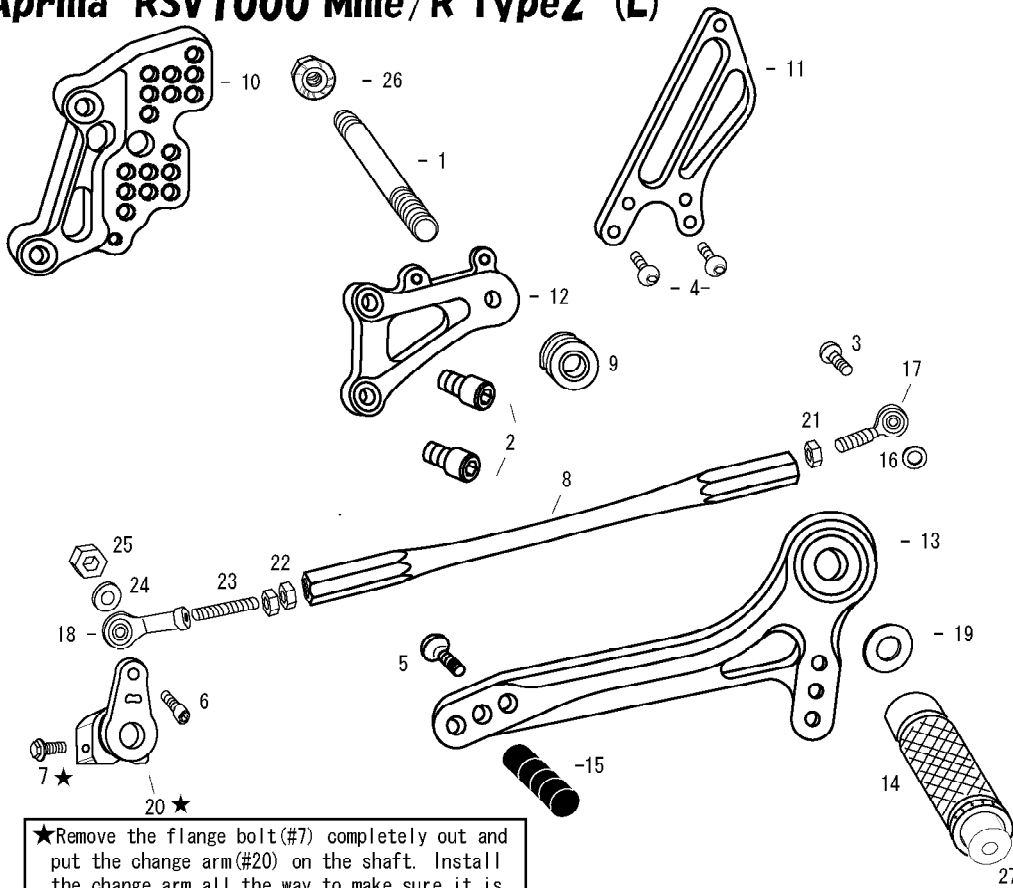


Aprilia RSV1000 Mille/R Type2 (L)

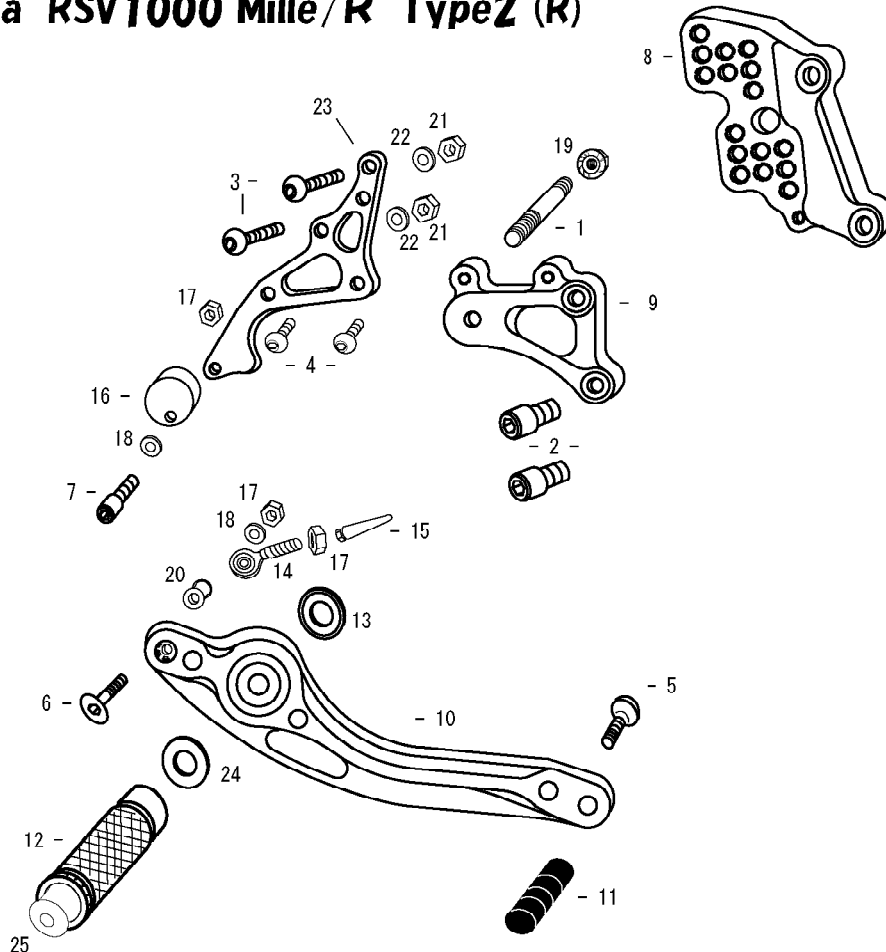


1. STUD BOLT LONG
2. SOCKET HEAD M8×15mm ×2
3. BUTTON HEAD M6×20mm ×2
4. BUTTON HEAD M6×10mm ×2
5. BUTTON HEAD M6×20mm
6. SOCKET HEAD M6×25mm
7. FLANGE HEAD M6×20mm
8. SHIFT ROD 145
9. FOOT PEG BEARING COLLAR 10
10. BASE PLATE [L]
11. HEEL GUARD [L] (HG3)
12. STEP PLATE [L]
13. SHIFT PEDAL 60 (SPD1)
14. FOOT PEG
15. PEDAL TIP DELRIN
16. ROD END COLLAR 3
17. MALE REVERSE ROD END M6
18. FEMALE ROD END M6
19. PEG WASHER M8
20. CHANGE ARM S (BK)
21. REVERSE JAM NUT M6
22. JAM NUT M6 ×2
23. STUD M6
24. PLAIN WASHER M6
25. PLAIN NUT M6
26. FLANGE NUT M8
27. FOOT PEG END CAP

★Remove the flange bolt(#7) completely out and put the change arm(#20) on the shaft. Install the change arm all the way to make sure it is in. Then, install the flange bolt(#7) back in.



Aprilia RSV1000 Mille/R Type2 (R)



1. STUD BOLT SHORT
2. SOCKET HEAD M8×15mm ×2
3. BUTTON HEAD M6×20mm ×2
4. BUTTON HEAD M6×10mm ×2
5. BUTTON HEAD M6×20mm
6. FLAT HEAD M5×35mm
7. SOCKET HEAD M5×25mm
8. BASE PLATE [R]
9. STEP PLATE [R]
10. BRAKE PEDAL 180T2 (BPD6)
11. PEDAL TIP DELRIN
12. FOOT PEG
13. BEARING COLLAR SUS
14. MALE ROD END M5
15. PUSH ROD
16. BRAKE PEDAL STOPPER DELRIN
17. PLAIN NUT M5 ×3
18. PLAIN WASHER M5 ×2
19. FLANGE NUT M8
20. ROD END COLLAR 12 (BK)
21. PLAIN NUT M6 ×2
22. PLAIN WASHER M6 ×2
23. BRAKE MASTER STAY
24. PEG WASHER M8
25. FOOT PEG END CAP

POSITIONS

	0mm	0mm
1		
2	0mm	10mm Up
3	0mm	20mm Up
4	10mm Back	10mm Up
5	10mm Back	20mm Up
6	20mm Back	10mm Up
7	20mm Back	20mm Up
8	20mm Back	30mm Up

All measurements are in relation to stock position (0 mm)