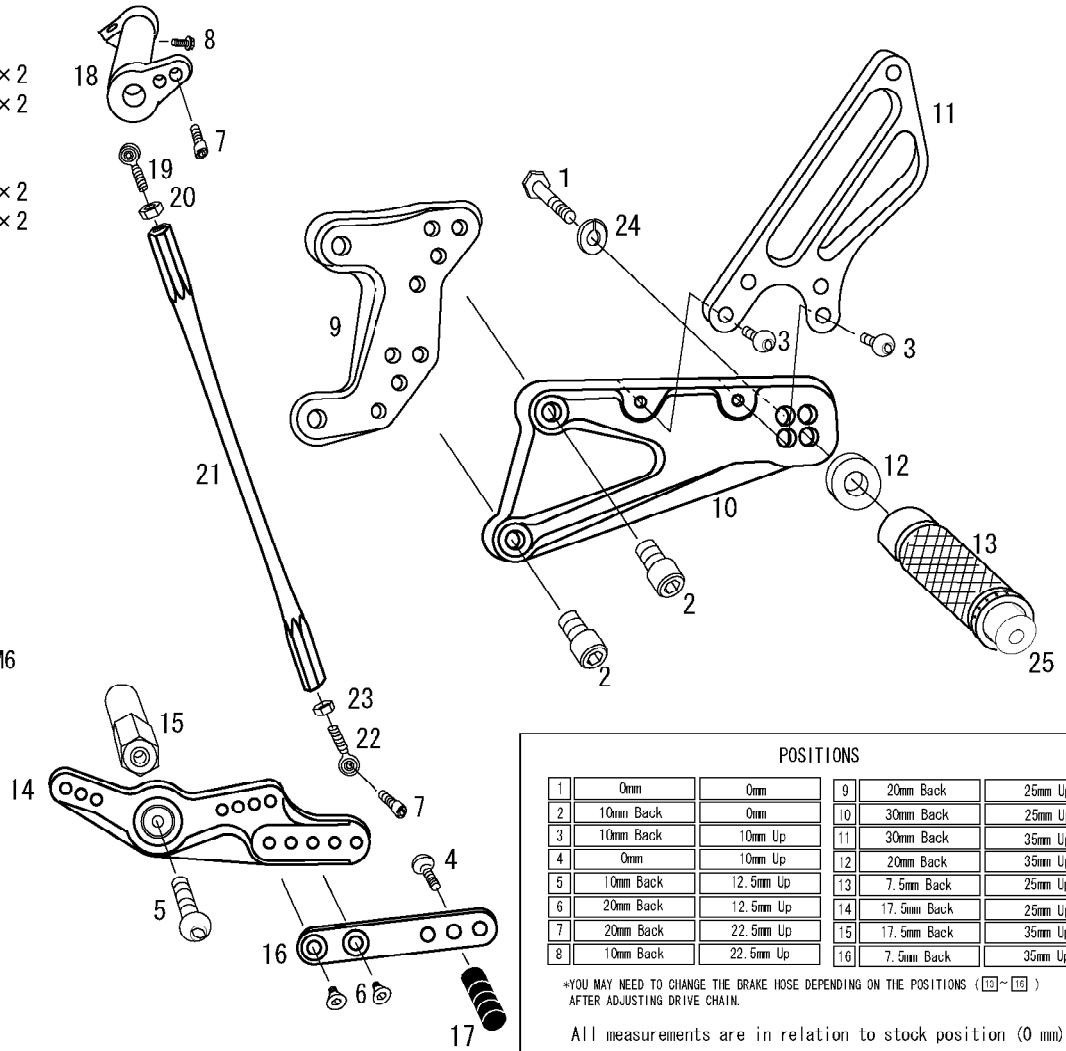


YZF-R1 '07-'08 (L)

1. HEX BOLT M8 × 45mm
2. SOCKET HEAD M8 × 15mm × 2
3. BUTTON HEAD M6 × 10mm × 2
4. BUTTON HEAD M6 × 25mm
5. BUTTON HEAD M8 × 30mm
6. FLAT HEAD M6 × 10mm × 2
7. SOCKET HEAD M6 × 20mm × 2
8. FLANGE HEAD M6 × 20mm
9. BASE PLATE [L]
10. STEP PLATE [L]
11. HEEL GUARD [L] (HG14)
12. FOOT PEG COLLAR 12
13. FOOT PEG
14. SHIFT PEDAL (SPD11) (BK)
15. SHIFT BASE 65 SUS
16. SHIFT PEDAL (SPD8) (BK)
17. PEDAL TIP DELRIN
18. CHANGE ARM L (BK)
19. MALE ROD END M6
20. JAM NUT M6
21. SHIFT ROD 190 (BK)
22. MALE REVERSE ROD END M6
23. REVERSE JAM NUT M6
24. SPLIT WASHER M3
25. FOOT PEG END CAP

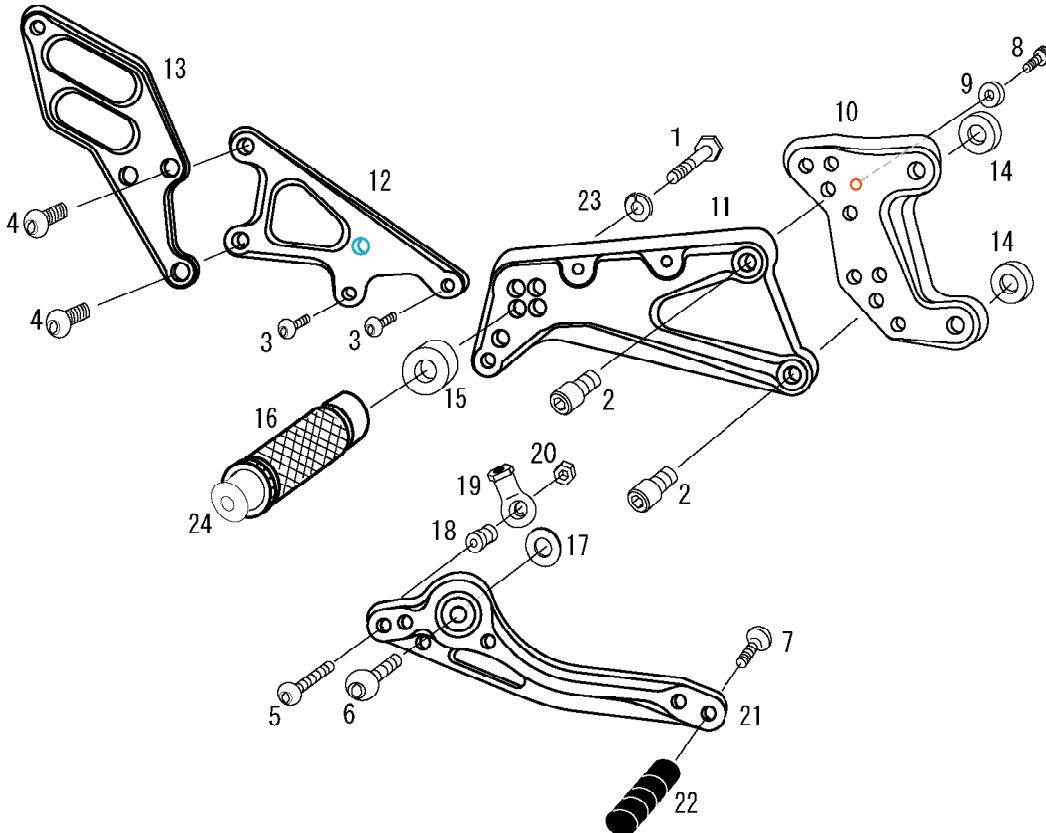


POSITIONS					
1	0mm	0mm	9	20mm Back	25mm Up
2	10mm Back	0mm	10	30mm Back	25mm Up
3	10mm Back	10mm Up	11	30mm Back	35mm Up
4	0mm	10mm Up	12	20mm Back	35mm Up
5	10mm Back	12.5mm Up	13	7.5mm Back	25mm Up
6	20mm Back	12.5mm Up	14	17.5mm Back	25mm Up
7	20mm Back	22.5mm Up	15	17.5mm Back	35mm Up
8	10mm Back	22.5mm Up	16	7.5mm Back	35mm Up

+YOU MAY NEED TO CHANGE THE BRAKE HOSE DEPENDING ON THE POSITIONS (13)~(16) AFTER ADJUSTING DRIVE CHAIN.

All measurements are in relation to stock position (0 mm)

YZF-R1 '07-'08 (R)



1. HEX BOLT M8 × 45mm
2. SOCKET HEAD M8 × 15mm × 2
3. BUTTON HEAD M6 × 10mm × 2
4. BUTTON HEAD M8 × 20mm × 2
5. BUTTON HEAD M6 × 40mm
6. BUTTON HEAD M8 × 25mm
7. BUTTON HEAD M6 × 20mm
8. SOCKET HEAD M6 × 15mm
9. COLLAR 5 (BK) × 1
10. BASE PLATE [R]
11. STEP PLATE [R]
12. MASTER PLATE
13. HEEL GUARD [R] (HG15)
14. BASE PLATE COLLAR 5 (BK) × 2
15. FOOT PEG COLLAR 12
16. FOOT PEG
17. PEG WASHER M8
18. BRAKE ROD COLLAR 15 (BK)
19. 6-M8 FEMALE ROD END
20. PLAIN NUT M6
21. BRKE PEDAL 150 (BPD1)
22. PEDAL TIP DELRIN
23. SPLIT WASHER M8
24. FOOT PEG END CAP