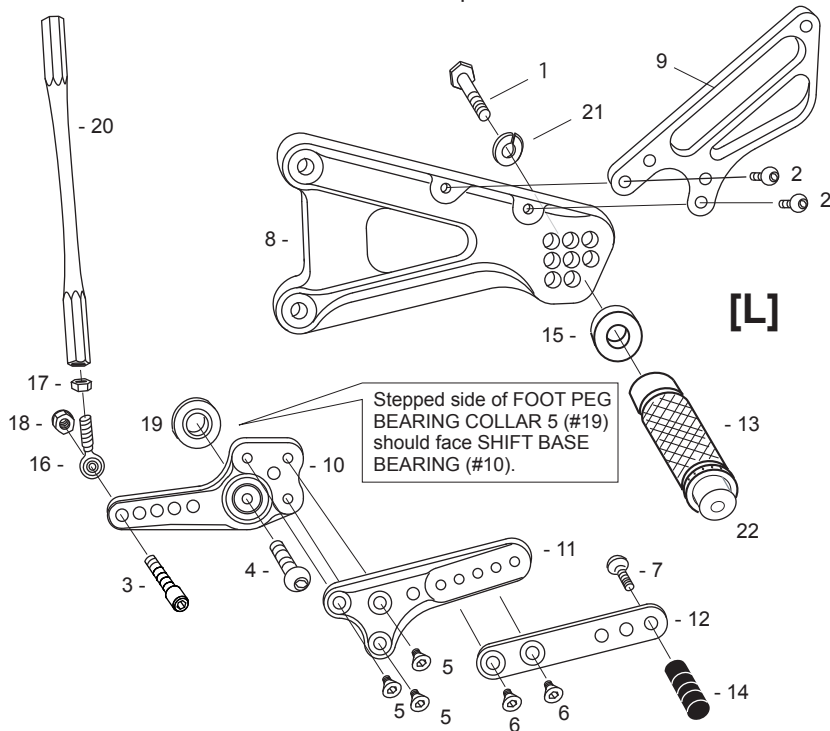


YAMAHA YZF-R6 '06-'16

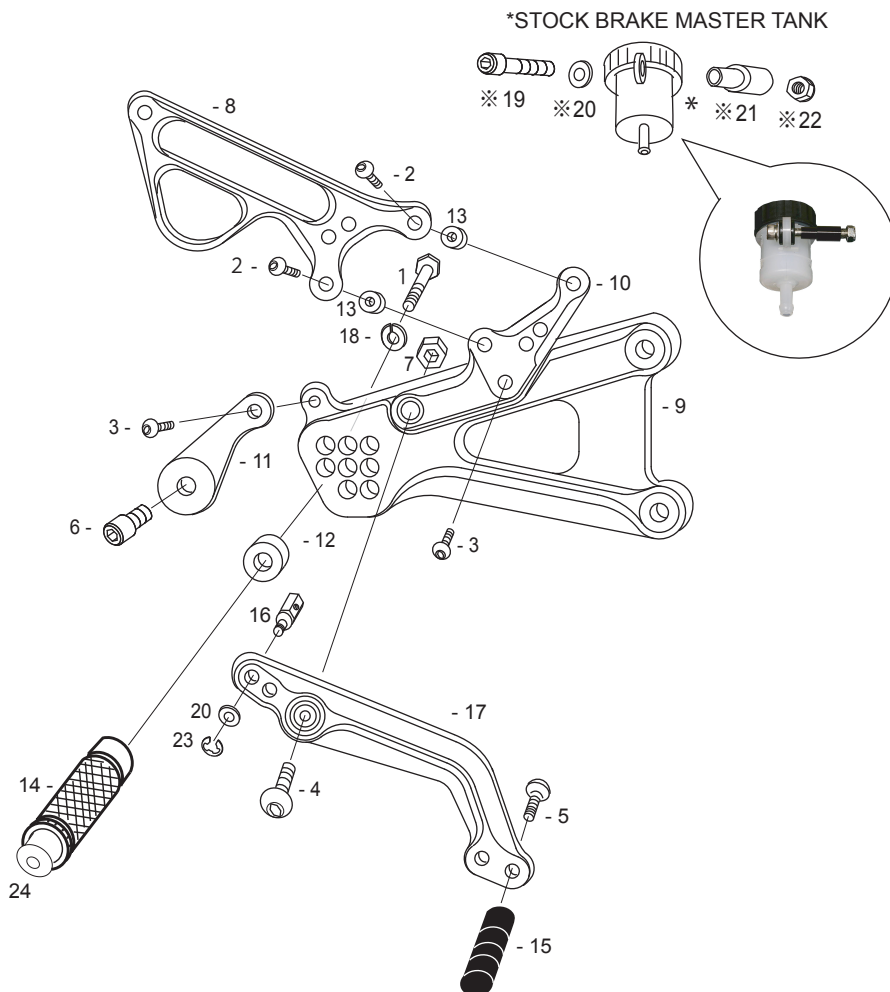
REAR SETS part# Y-R606RS



[L] SIDE

1. HEX HEAD M8×45mm [HBT-M845]
2. BUTTON HEAD M6×10mm [SBT-M610] ×2
3. SOCKET HEAD M6×25mm [SBT-M625]
4. BUTTON HEAD M8×35mm [BBT-M835]
5. FLAT HEAD M6×15mm [FBT-M615] ×3
6. FLAT HEAD M6×10mm [FBT-M610] ×2
7. BUTTON HEAD M6×25mm [BBT-M625]
8. (L) BASE PLATE [Y-R606BP-L]
9. (L) HEEL GUARD [HG-3L]
10. SHIFT BASE #1(BK) [SB-Y1]
11. SHIFT BASE #2(BK) [SB-Y2]
12. SHIFT PEDAL (BK) [SPD8]
13. FOOT PEG [PEG]
14. PEDAL TIP (DELRIN) [ST-001D]
15. FOOT PEG COLLAR 12 [PEGCLR-12]
16. REVERSE MALE ROD END M6 [RDED-M6L]
17. REVERSE JAM NUT M6 [JNT-6L]
18. LOCK NUT M6 [LNT-6]
19. BEARING COLLAR 5(BK) [PEGBGCLR-5]
20. SHIFT ROD 210 [SRD-210]
21. SPLIT WASHER M8 [SWS-8]
22. FOOT PEG END CAP [ST-002]

[R] P-1.25 brake light switch included.



[R] SIDE

1. HEX HEAD M8×45mm [HBT-M845]
2. BUTTON HEAD M6×25mm [BBT-M625] ×2
3. BUTTON HEAD M6×10mm [BBT-M610] ×2
4. BUTTON HEAD M8×30mm [BBT-M830]
5. BUTTON HEAD M6×25mm [BBT-M625]
6. SOCKET HEAD M8×20mm [BBT-M820]
7. PLAIN NUT M8 [NUT-8]
8. (R) HEEL GUARD [HG-12R]
9. (R) BASE PLATE [Y-R606BP-R]
10. MASTER STAY [Y-R606MS]
11. CANISTER STAY(BK) [CANSY-1]
12. FOOT PEG COLLAR 12 [PEGCLR-12]
13. MASTER STAY COLLAR 5(BK) ×2
14. FOOT PEG [PEG]
15. PEDAL TIP (DELRIN) [ST-001D]
16. BRAKE ROD SS [BRD-SS]
17. BRAKE PEDAL [BPD8]
18. SPLIT WASHER M8 [SWS-8]
19. SOCKET HEAD M6×50mm [SBT-M650] ※
20. PLAIN WASHER M6 [WS-6] ※
21. COLLAR 25(SV) ※
22. LOCK NUT M6 [LNT-6] ※
23. E CLIP M6 [ECP-6]
24. FOOT PEG END CAP [ST-002]

(※FOR '06-'07 MODEL ONLY)

POSITIONS		
1	0mm	10mm Up
2	0mm	20mm Up
3	0mm	30mm Up
4	10mm Back	10mm Up
5	10mm Back	20mm Up
6	10mm Back	30mm Up
7	20mm Back	20mm Up
8	20mm Back	30mm Up