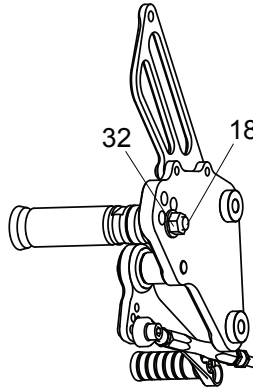
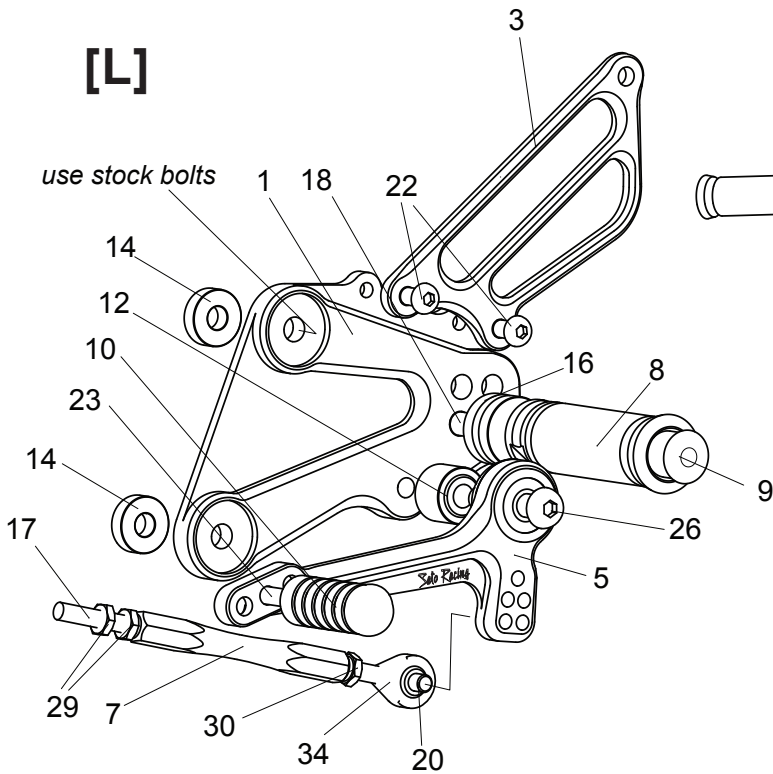
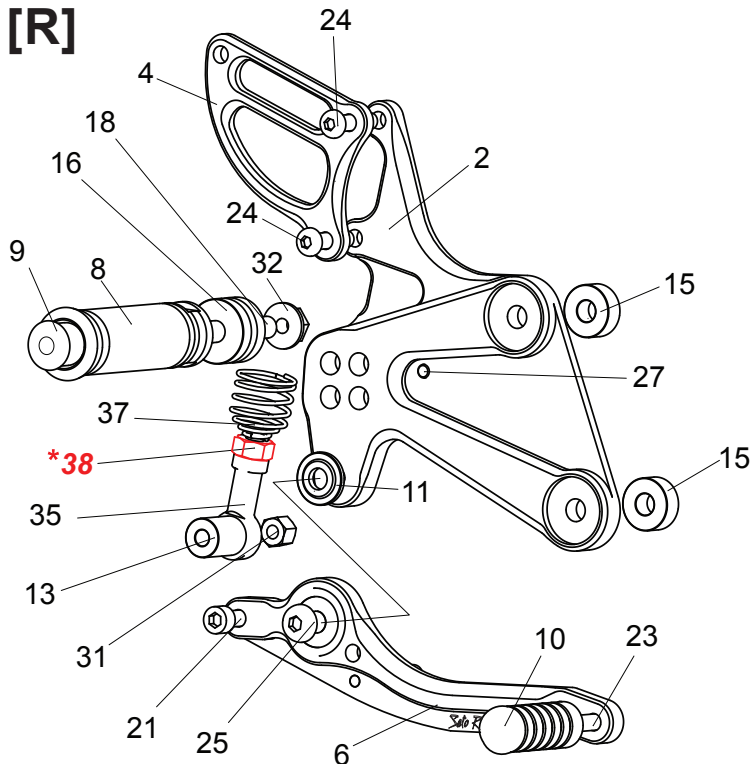


[L]



[R]



1. (L) STEP PLATE [S-GSR750SP-L]
2. (R) STEP PLATE [S-GSR750SP-R]
3. (L) HEEL GUARD [HG-2L]
4. (R) HEEL GUARD [HG-11R]
5. SHIFT PEDAL SCP65-75 [SPD-0912]
6. BRAKE PEDAL 165 [BPD-3b]
7. SHIFT ROD 90 [SRD-90]
8. FOOT PEG [PEG] x2
9. FOOT PEG END CAP [ST-002] x 2
10. PEDAL TIP (DELRIN) [ST-001D18] x 2
11. BEARING COLLAR 3 (BK) [BGCLR-3SB]
12. BEARING COLLAR 15 (BK) [BGCLR-15SB]
13. ROD END COLLAR 19 (BK) [RDEDCLR-19]
14. BASE PLATE COLLAR 6 (BK) [BPCLR-6] x 2
15. BASE PLATE COLLAR 8 (BK) [BPCLR-8] x 2
16. FOOT PEG COLLAR 15 [PEGCLR-15] x 2
17. STUD M6-45mm [STUD-M6]
18. STUD BOLT M8-50mm [STBT-50] x 2
19. SOCKET HEAD M5-35mm [SBT-M535]
20. SOCKET HEAD M6-15mm [SBT-M615]
21. SOCKET HEAD M6-45mm [SBT-M645]
22. BUTTON HEAD M6-10mm [BBT-M610] x 2
23. BUTTON HEAD M6-20mm [BBT-M620] x 2
24. BUTTON HEAD M6-25mm [BBT-M625] x 2
25. BUTTON HEAD M8-25mm [BBT-M825]
26. BUTTON HEAD M8-40mm [BBT-M840]
27. HEX HEAD M5-8mm [HBT-M58]
28. NUT M5 [NUT-5]
29. JAM NUT M6 [JNT-6] x 2
30. REVERSE JAM NUT M6 [JNT-6L]
31. LOCK NUT M6 [LNT-6]
32. FLANGE NUT M8 [FNT-8] x 2
33. WASHER M5 [WS-5]
34. MALE REVERSE ROD END M6 [RDED-M6L]
35. FEMALE ROD END 6-M8 [RDED-F6-8]
36. PULL SWITCH STAY 16 [PSTAY-16]
37. RETURN SPRING 40 [RS-RSP]
- \*38. NUT (SUZUKI PART)**

(BACK SIDE)

