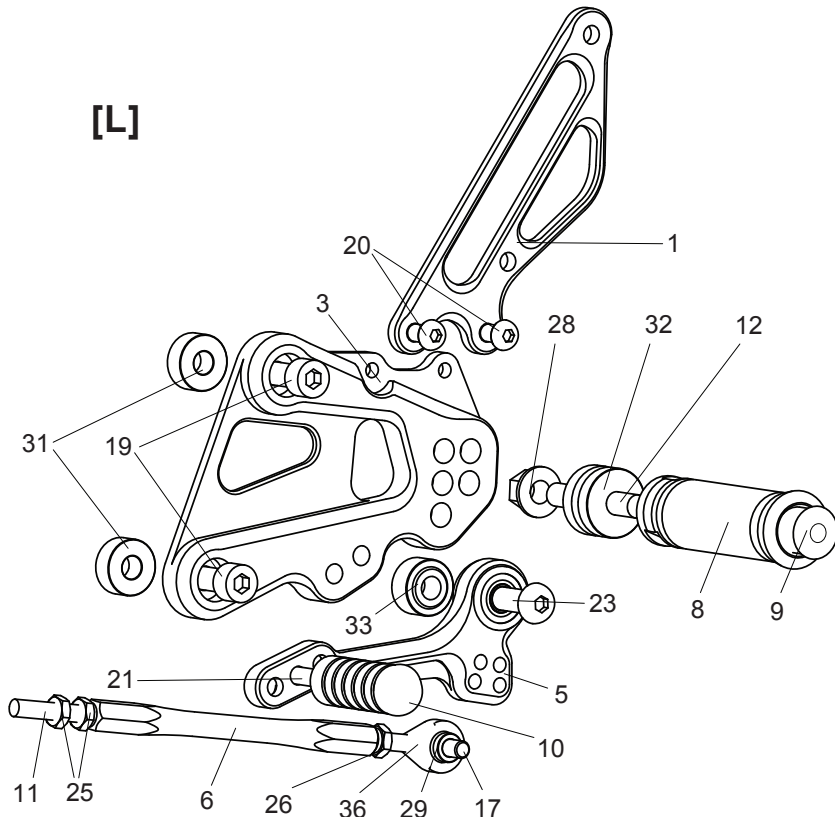


[L]



1. HEEL GUARD [L] [HG-8L]
  2. HEEL GUARD [R] [HG-8R]
  3. STEP PLATE [L]
  4. STEP PLATE [R]
  5. SHIFT PEDAL [SPD-10]
  6. SHIFT ROD 120 [SRD-120]
  7. BRAKE PEDAL [BPD-15]
  8. FOOT PEG [PEG] x 2
  9. FOOT PEG END CAP [ST-002] x 2
  10. PEDAL TIP [DELRIN] [ST-001D18] x 2
  11. STUD M6 [STUD-M6]
  12. STUD BOLT M8x50mm [STBT-50] x 2
  13. HEX HEAD M5x6mm [HBT-M56]
  14. SOCKET HEAD M5x15mm [SBT-M515]
  15. SOCKET HEAD M5x40mm [SBT-M540]
  17. SOCKET HEAD M6x20mm [SBT-M620] x 3
  18. SOCKET HEAD M6x50mm [SBT-M650]
  19. SOCKET HEAD M8x25mm [SBT-M825] x 4
  20. BUTTON HEAD M6x10mm [BBT-M610] x 2
  21. BUTTON HEAD M6x20mm [BBT-M620] x 2
  22. BUTTON HEAD M8x25mm [BBT-M825]
  23. BUTTON HEAD M8x35mm [BBT-M835]
  24. NUT M5 [NUT-5] x 2
  25. JAM NUT M6 [JNT-6] x 3
  26. REVERSE JAM NUT M6 [JNT-6L]
  27. LOCK NUT M6 [LNT-6]
  28. FLANGE NUT M8 [FNT-8] x 2
  29. ROD END COLLAR 3 (GD) [RDED-CLR3]
  30. ROD END COLLAR 23 (BK) [RDED-CLR23]
  31. COLLAR 8 (BK) [BPCLR-8] x 4
  32. PEG COLLAR 15 [PEGCLR-15] x 2
  33. BEARING COLLAR 10S (BK) [PEGBGCLR-10SB]
  34. ROD ADAPTER M6-8 [BRD-ADPTRM8-8]
  35. MALE ROD END M6 [RDED-M6]
  36. REVERSE MALE ROD END M6 [RDED-M6L]
  37. PULL SWITCH STAY 16 [PSTAY-16]
- SPRING 8-25 [RS-RSP825] (Not pictured)
- A. COLLAR 5-M10-6 (BK) x 2  
(pre-installed)