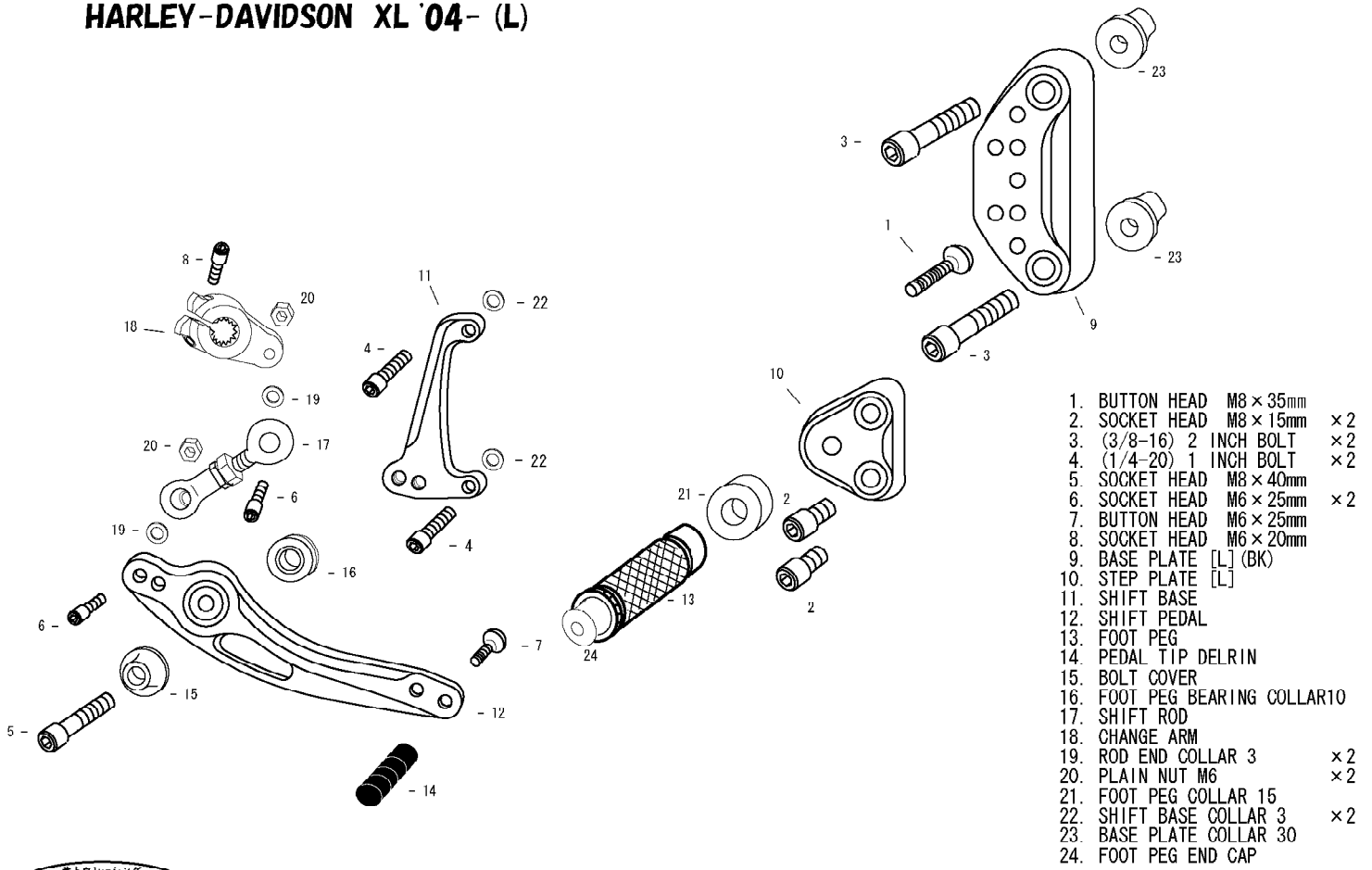


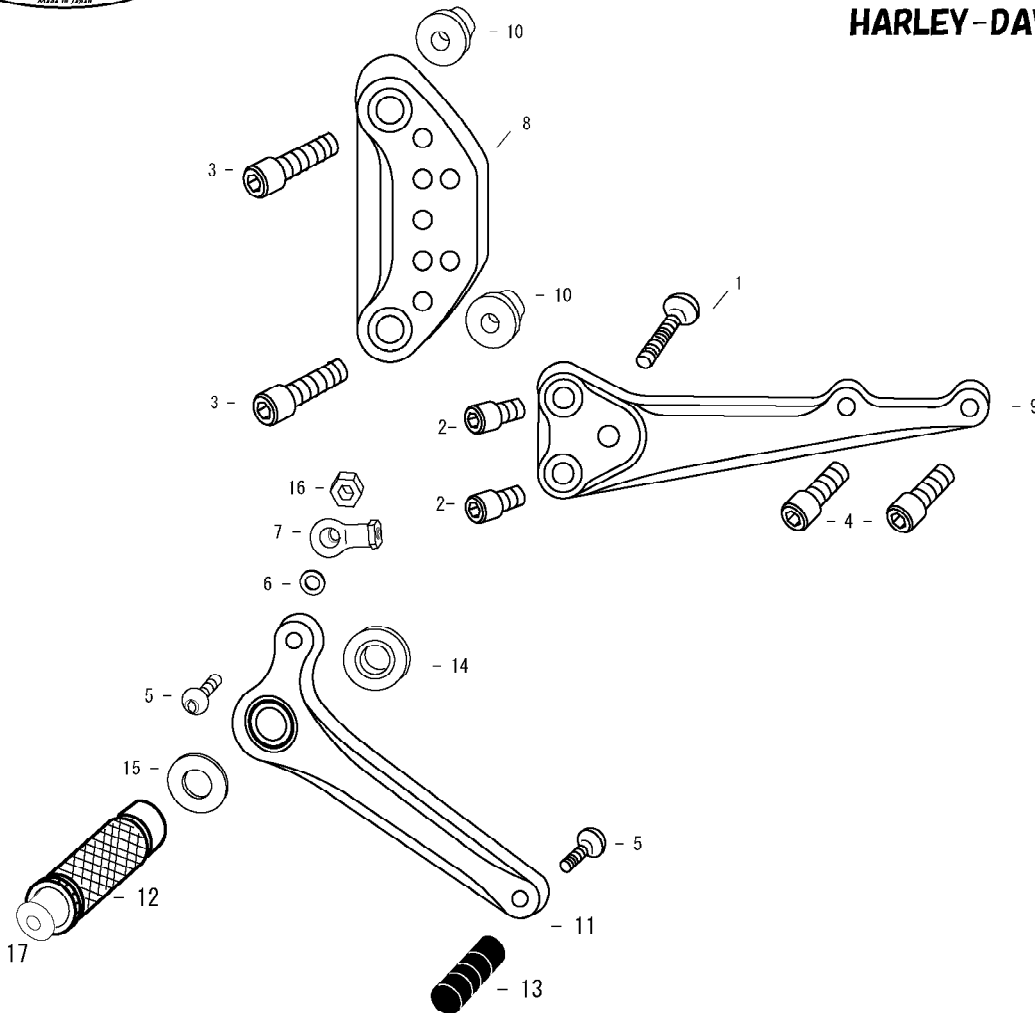
# HARLEY-DAVIDSON XL '04- (L)



1. BUTTON HEAD M8 × 35mm
2. SOCKET HEAD M8 × 15mm × 2
3. (3/8-16) 2 INCH BOLT × 2
4. (1/4-20) 1 INCH BOLT × 2
5. SOCKET HEAD M8 × 40mm
6. SOCKET HEAD M6 × 25mm × 2
7. BUTTON HEAD M6 × 25mm
8. SOCKET HEAD M6 × 20mm
9. BASE PLATE [L] (BK)
10. STEP PLATE [L]
11. SHIFT BASE
12. SHIFT PEDAL
13. FOOT PEG
14. PEDAL TIP DELRIN
15. BOLT COVER
16. FOOT PEG BEARING COLLAR 10
17. SHIFT ROD
18. CHANGE ARM
19. ROD END COLLAR 3 × 2
20. PLAIN NUT M6 × 2
21. FOOT PEG COLLAR 15
22. SHIFT BASE COLLAR 3 × 2
23. BASE PLATE COLLAR 30
24. FOOT PEG END CAP



# HARLEY-DAVIDSON XL '04- (R)



1. BUTTON HEAD M8 × 35mm
2. SOCKET HEAD M8 × 15mm × 2
3. (3/8-16) 1 1/2 INCH BOLT × 2
4. SOCKET HEAD M8 × 35mm × 2
5. BUTTON HEAD M6 × 25mm × 2
6. ROD END COLLAR 3
7. M6-8 FEMALE ROD END
8. BASE PLATE [R] (BK)
9. STEP PLATE [R]
10. BASE PLATE COLLAR 20 × 2
11. BRAKE PEDAL
12. FOOT PEG
13. PEDAL TIP DELRIN
14. FOOT PEG COLLAR 5
15. PEG WASHER M8
16. PLAIN NUT M6
17. FOOT PEG END CAP