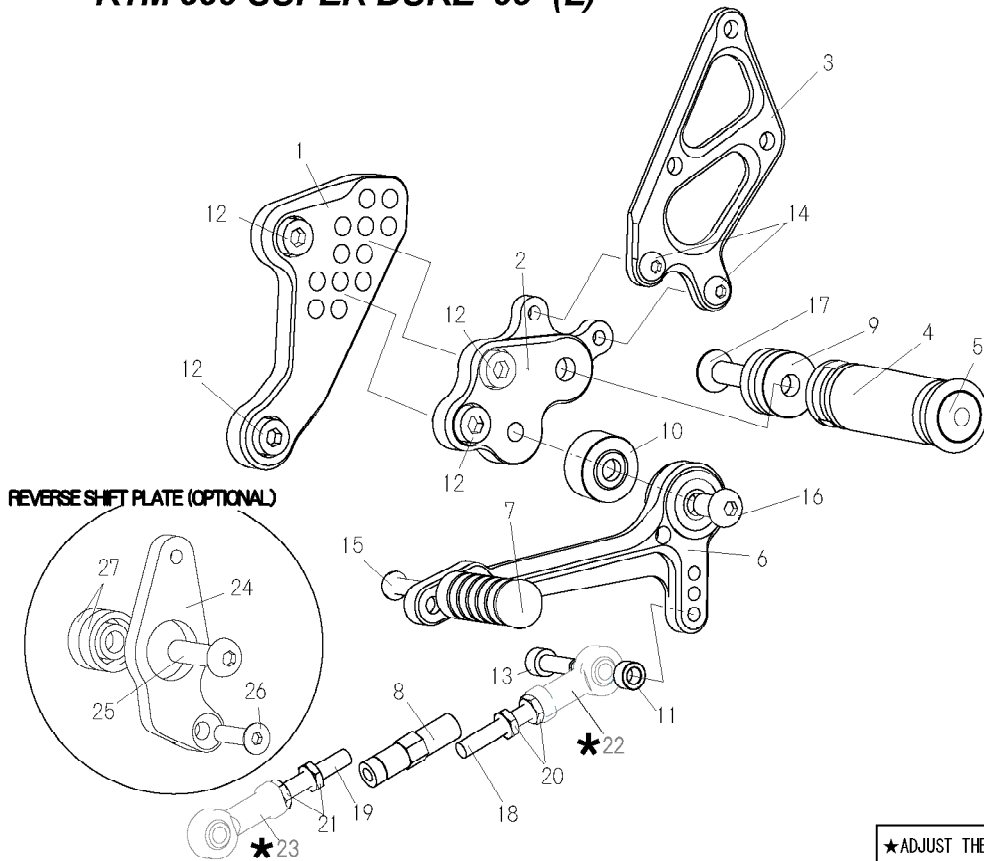


KTM 990 SUPER DUKE '05- (L)



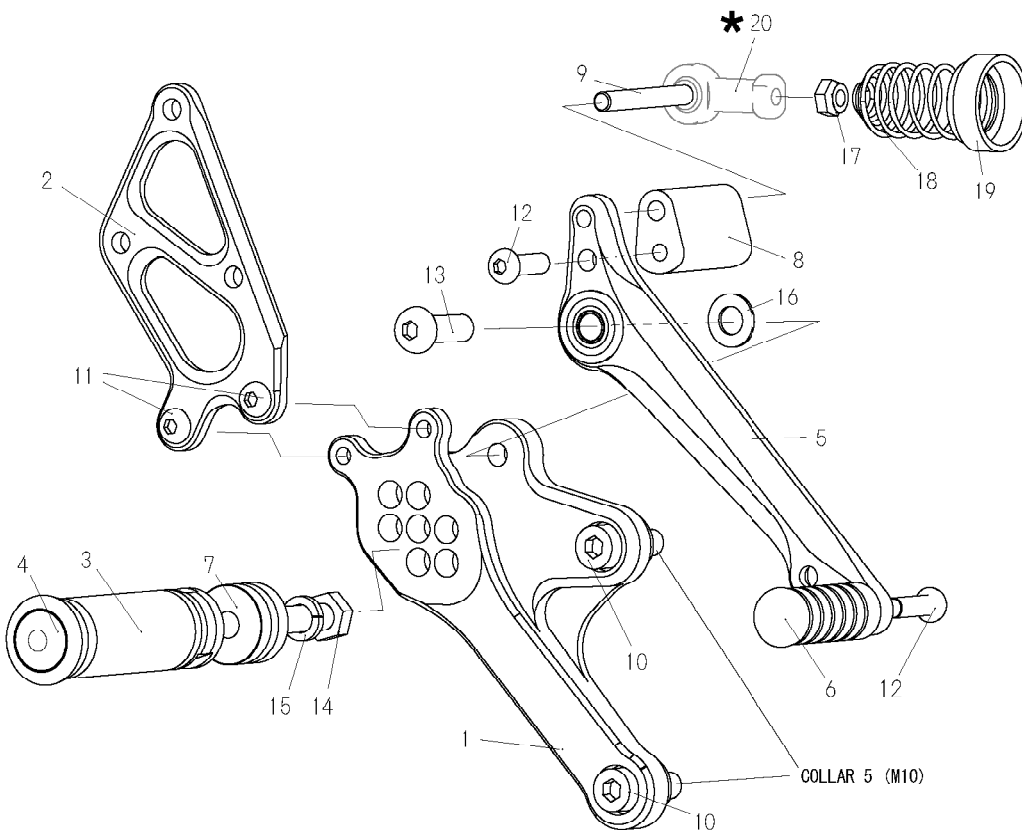
1. BASE PLATE [L]
2. STEP PLATE [L]
3. HEEL GUARD [L] (HG19)
4. FOOT PEG
5. FOOT PEG END CAP
6. SHIFT PEDAL (SPD12)
7. PEDAL TIP DELRIN
8. SHIFT ROD 40
9. FOOT PEG COLLAR 15
10. FOOT PEG BEARING COLLAR 12.5
11. ROD END COLLAR 6
12. SOCKET HEAD M8×15 ×4
13. SOCKET HEAD M6×20
14. BUTTON HEAD M6×10 ×2
15. BUTTON HEAD M6×20
16. BUTTON HEAD M8×35
17. FLAT HEAD M8×40
18. STUD M6
19. REVERSE STUD M6
20. JAM NUT M6 ×2
21. REVERSE JAM NUT M6 ×2
- *22. FEMALE ROD END M6 (STOCK)
- *23. FEMALE REVERSE ROD END M6 (STOCK)

- REVERSE SHIFT PLATE (OPTIONAL PARTS)
24. REVERSE PLATE
 25. BUTTON HEAD M8×30
 26. FLAT HEAD M6×20
 27. BEARING ×2

★ADJUST THE STOCK CHANGE ARM WHEN INSTALLING SATO REAR SETS.
★USE THE STOCK SHIFT ROD FOR POSITION #1 AND #2.



KTM 990 SUPER DUKE '05- (R)



1. STEP PLATE [R]
2. HEEL GUARD [R] (HG19)
3. FOOT PEG
4. FOOT PEG END CAP
5. BRAKE PEDAL (BPD12)
6. PEDAL TIP DELRIN
7. FOOT PEG COLLAR 15
8. BRAKE ADAPTOR (BK)
9. SOCKET HEAD M6×55
10. SOCKET HEAD M8×25 ×2
11. BUTTON HEAD M6×10 ×2
12. BUTTON HEAD M6×20 ×2
13. BUTTON HEAD M8×25
14. HEX BOLT M8×40
15. SPLIT WASHER M8
16. PEG WASHER M8
17. SPRING SHEET M6
18. RETURN SPRING 40
19. RETURN SPRING COLLAR (BK)
- *20. FEMALE ROD END (STOCK)

POSITIONS		
1	20mm Forward	10mm Up
2	20mm Forward	20mm Up
3	10mm Forward	10mm Up
4	10mm Forward	20mm Up
5	10mm Forward	30mm Up
6	0mm	20mm Up
7	0mm	30mm Up

All measurements are in relation to stock position (0 mm)