

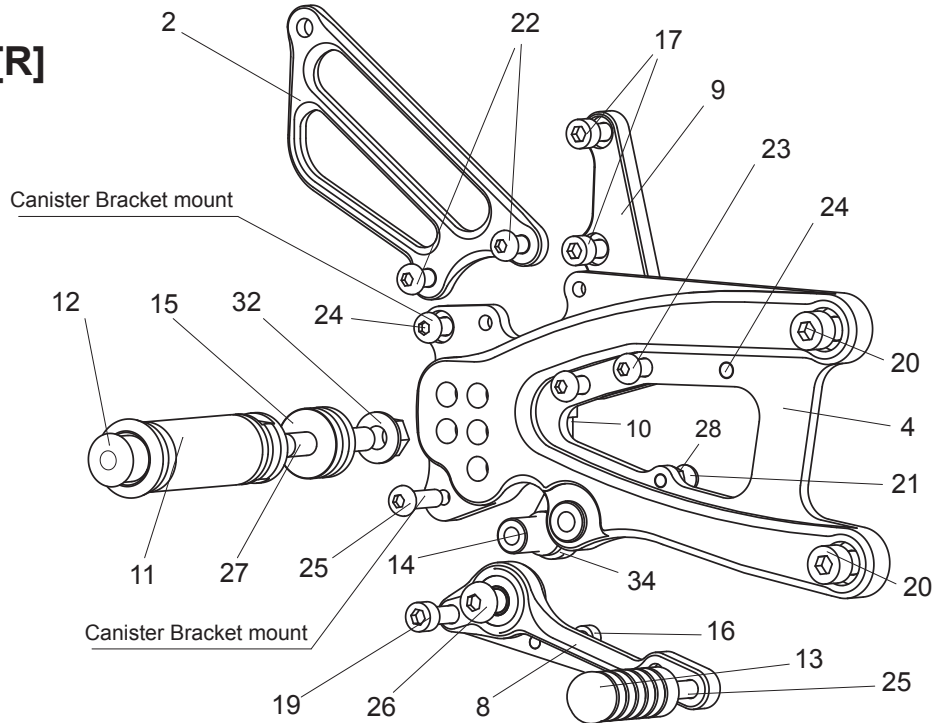


YAMAHA YZF-R1 ('15-'17)

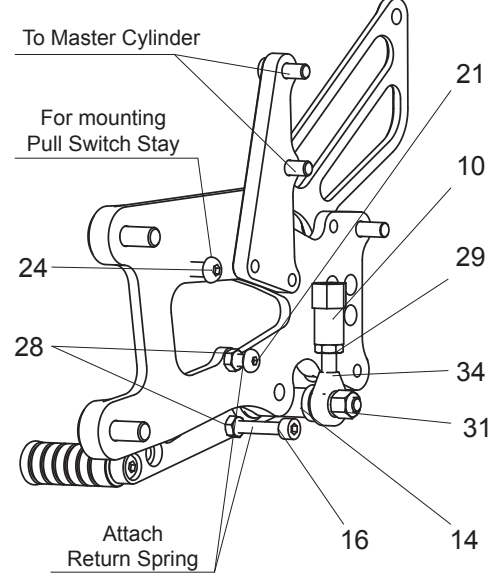
REAR SETS

part# Y-R115RS

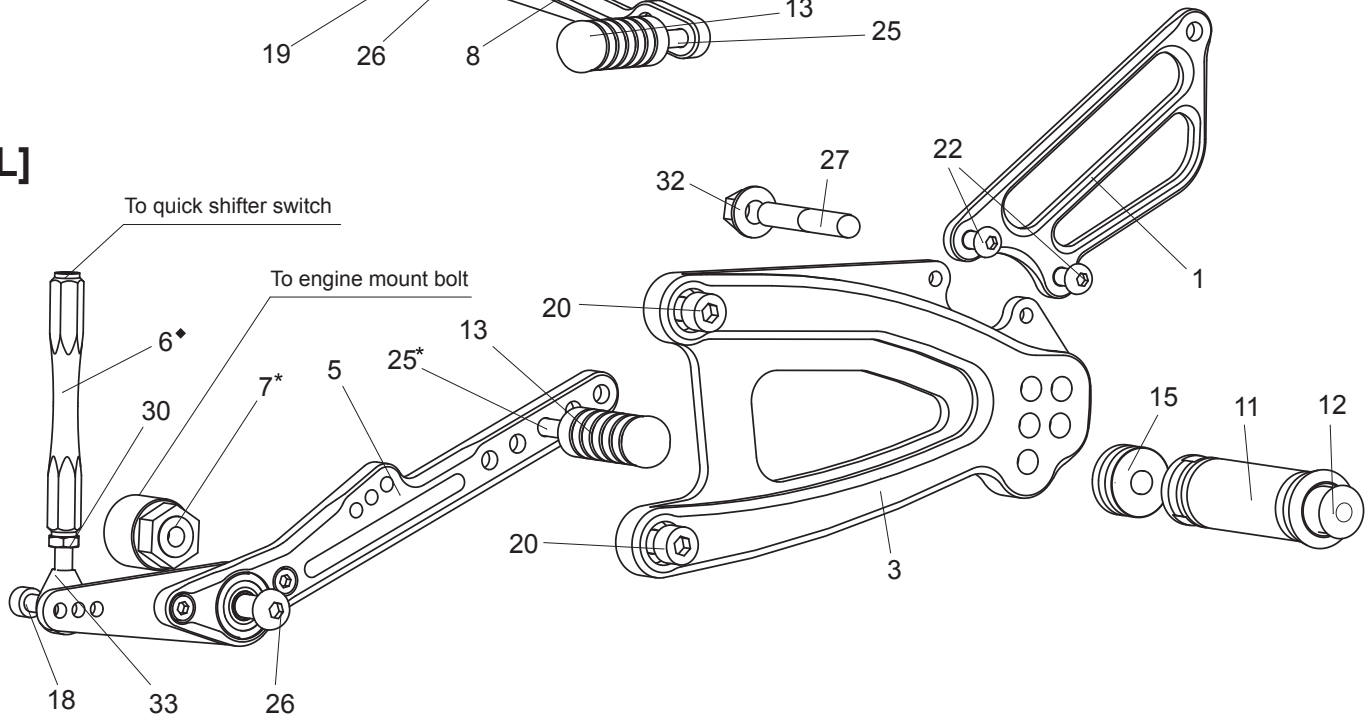
[R]



(BACK SIDE)



[L]



- | | | |
|--|--|--|
| 1. (L) HEEL GUARD [HG-2L] | 13. PEDAL TIP (DELRIN) [ST-001D18] x 2 | 26. BUTTON HEAD M8x25mm [BBT-M825] x 2 |
| 2. (R) HEEL GUARD [HG-2R] | 14. COLLAR 23-6(BK) [RDED-CLR23] | 27. STUD BOLT M8x50 [STBT-50] x 2 |
| 3. (L) STEP PLATE [Y-R115SP-L] | 15. PEG COLLAR 12 [PEGCLR-12] x 2 | 28. NUT M5 [NUT-5] x 2 |
| 4. (R) STEP PLATE [Y-R115SP-R] | 16. SOCKET HEAD M5x30mm [SBT-M530] | 29. JAM NUT M6 [JNT-6] |
| 5. SHIFT PEDAL (BK) [SPD-CP019] | 17. SOCKET HEAD M6x15mm [SBT-M615] x 2 | 30. REVERSE JAM NUT M6 [JNT-6L] |
| 6. SHIFT ROD 90(BK) [SRD-90B] | 18. SOCKET HEAD M6x18mm [SBT-M618] | 31. LOCK NUT M6 [LNT-6] |
| ♦ (R1S: use SHIFT ROD 190 [SRD-190B]) | 19. SOCKET HEAD M6x50mm [SBT-M650] | 32. FLANGE NUT M8 [FNT-8] x 2 |
| 7. SHIFT BASE [SB-YR115] | 20. SOCKET HEAD M8x20mm [SBT-M820] x 4 | 33. REVERSE MALE ROD END M6 [RDED-M6L] |
| 8. BRAKE PEDAL [BPD-15] | 21. BUTTON HEAD M5x15mm [BBT-M515] | 34. MALE ROD END M6 [RDED-M6] |
| 9. MASTER STAY (BK) [Y-R115MS] | 22. BUTTON HEAD M6x10mm [BBT-M610] x 4 | - SOCKET HEAD M6x15mm [SBT-M615] |
| 10. BRAKE ROD ADAPTER M6-8 [BRD-ADPTRM6-8] | 23. BUTTON HEAD M6x12mm [BBT-M612] x 2 | - RETURN SPRING 8-35 [RS-RSP8-35] |
| 11. FOOT PEG [PEG] x 2 | 24. BUTTON HEAD M6x15mm [BBT-M615] x 2 | - COLLAR 5-6 [CLR-5-6] |
| 12. FOOT PEG END CAP [ST-002] x 2 | 25. BUTTON HEAD M6x20mm [BBT-M620] x 3 | - WASHER M12 [WS-12] (for engine mount bolt) |