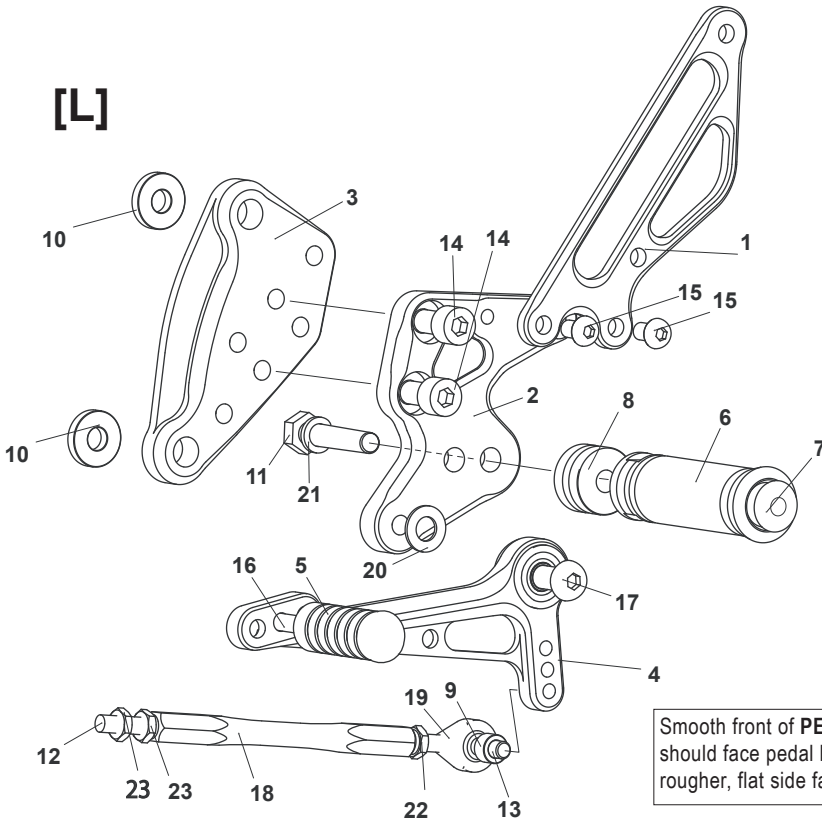


KAWASAKI Z1000 (non-ABS '10-) REAR SETS part# K-Z1010RS

[L] SIDE

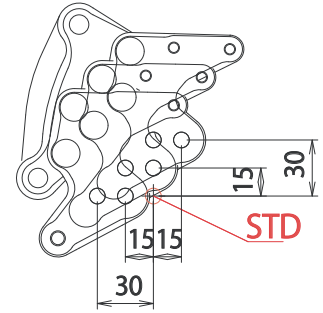
1. HEEL GUARD [L] [HG-17L]
2. STEP PLATE [L]
3. BASE PLATE [L]
4. SHIFT PEDAL SCP90 [SPD-14]
5. PEDAL TIP (DELRIN) [ST-001D]
6. FOOT PEG [PEG]
7. FOOT PEG END CAP [ST-002]
8. FOOT PEG COLLAR 15 [PEGCLR-15]
9. ROD END COLLAR 6(GD) [RDED-CLR6]
10. BASE PLATE COLLAR 4(BK) [BPCLR-4] ×2
11. HEX HEAD M8×40mm [HBT-M840]
12. REVERSE STUD M6 [STUD-M6L]
13. SOCKET HEAD M6×25mm [SBT-M625]
14. SOCKET HEAD M8×15mm [SBT-M815] ×2
15. BUTTON HEAD M6×10mm [BBT-M610] ×2
16. BUTTON HEAD M6×20mm [BBT-M620]
17. BUTTON HEAD M8×25mm [BBT-M825]
18. SHIFT ROD 110 [SRD-110]
19. MALE ROD END M6 [RDED-M6]
20. PEG WASHER M8 [PWS-8]
21. SPLIT WASHER M8 [SWS-8]
22. JAM NUT M6 [JNT-6]
23. REVERSE JAM NUT M6 [JNT-6L] ×2

[L]



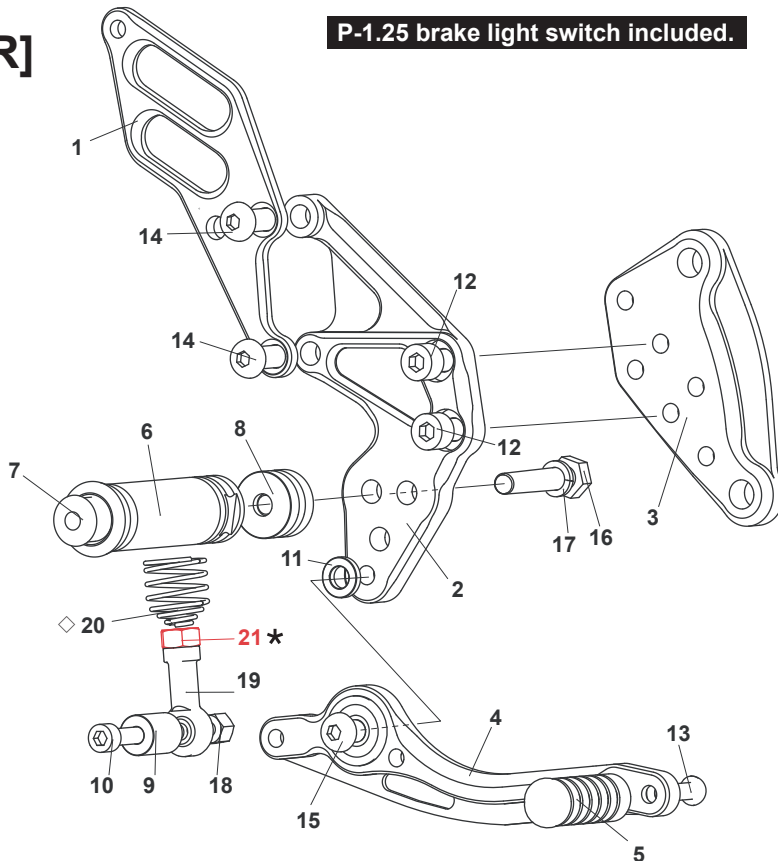
Smooth front of PEG WASHER M8 (#20) should face pedal bearing, with the rougher, flat side facing STEP PLATE(#2).

Due to running improvements in the designs of Sato parts, some new replacement parts may look somewhat different than the original parts with the same part #. These slight differences are mostly cosmetic and have no effect on performance.



[R]

P-1.25 brake light switch included.



[R] SIDE

1. HEEL GUARD [R] [HG-16]
2. STEP PLATE [R]
3. BASE PLATE [R]
4. BRAKE PEDAL 165 [BPD-3]
5. PEDAL TIP (DELRIN) [ST-001D]
6. FOOT PEG [PEG]
7. FOOT PEG END CAP [ST-002]
8. FOOT PEG COLLAR 15 [PEGCLR-15]
9. BRAKE ROD COLLAR 19(BK) [RDEDCLR-19]
10. SOCKET HEAD M6×45mm [SBT-M645]
11. BRAKE PEDAL COLLAR 3(BK) [CLR-3-8]
12. SOCKET HEAD M8×15mm [SBT-M815] ×2
13. BUTTON HEAD M6×20mm [BBT-M620]
14. BUTTON HEAD M8×25mm [BBT-M825] ×2
15. BUTTON HEAD M8×30mm [BBT-M830]
16. HEX HEAD M8×40mm [HBT-M840]
17. SPLIT WASHER M8 [SWS-8]
18. LOCK NUT M6 [LNT-6]
19. 6-M8 FEMALE ROD END [RDED-F6-8]
- ◇ 20. RETURN SPRING 40 (OPTIONAL) [RS-RSP]
- ★ 21. NUT (STOCK)