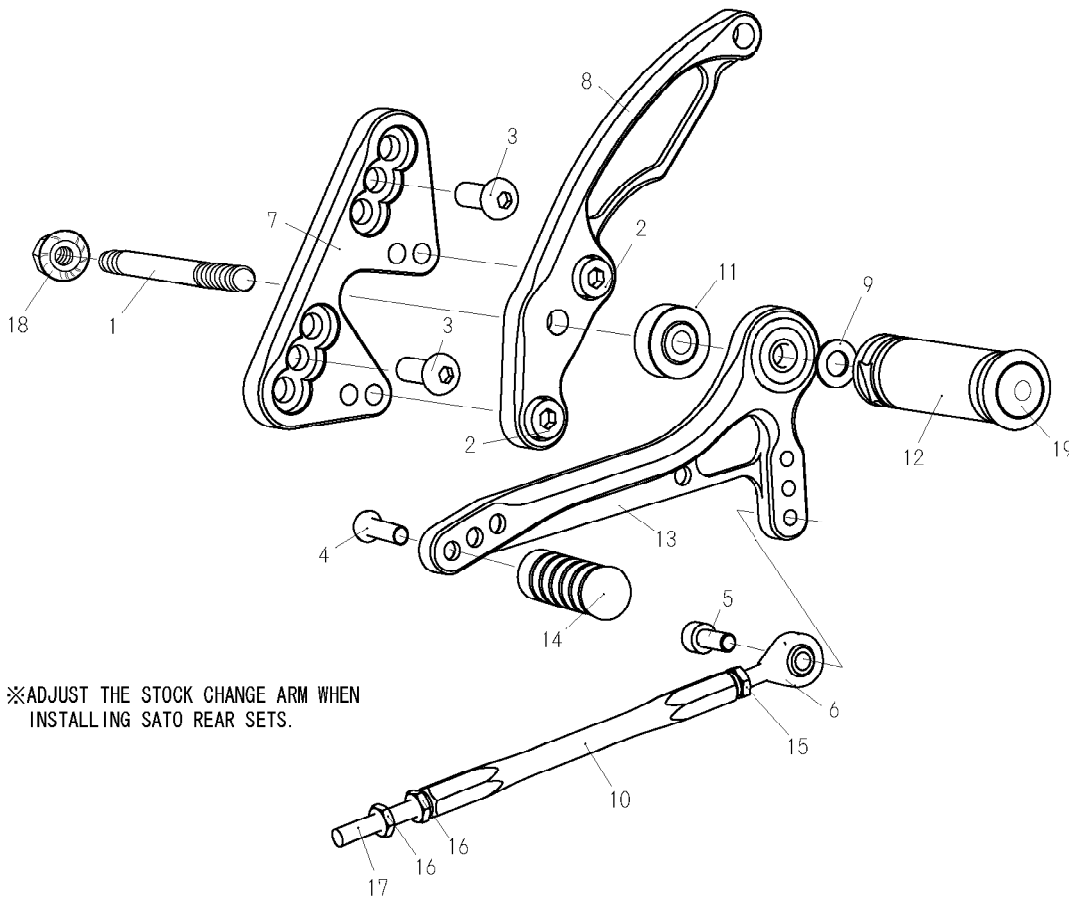


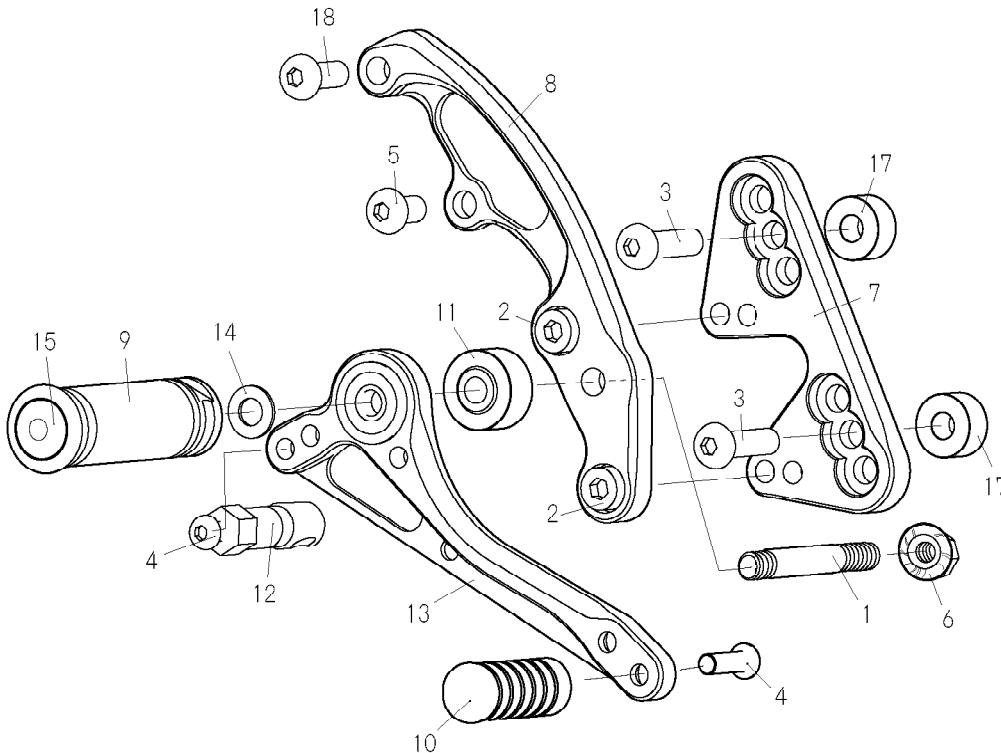
ZRX1100/1200 '97- / DAEG '09 (L)



1. STUD BOLT LONG
2. SOCKET HEAD M8 × 15mm × 2
3. BUTTON HEAD M8 × 20mm × 2
4. BUTTON HEAD M6 × 20mm
5. SOCKET HEAD M6 × 15mm
6. MALE ROD END M6
7. BASE PLATE [L] (BK)
8. STEP PLATE [L]
9. PEG WASHER M8
10. SHIFT ROD 130
11. FOOT PEG BEARING COLLAR 10
12. FOOT PEG
13. SHIFT PEDAL 70 (SPD2)
14. PEDAL TIP DELRIN
15. JAM NUT M6
16. REVERSE JAM NUT M6 × 2
17. REVERSE STUD M6
18. FLANGE NUT M8
19. FOOT PEG END CAP



ZRX1100/1200 '97- / DAEG '09 (R)



1. STUD BOLT LONG
2. SOCKET HEAD M8 × 15mm × 2
3. BUTTON HEAD M8 × 30mm × 2
4. BUTTON HEAD M6 × 20mm × 2
5. BUTTON HEAD M8 × 15mm
6. FLANGE NUT M8
7. BASE PLATE [R] (BK)
8. STEP PLATE [R]
9. FOOT PEG
10. PEDAL TIP DELRIN
11. FOOT PEG BEARING COLLAR 12.5
12. BRAKE ROD L2
13. BRAKE PEDAL 105 (BPD4)
14. PEG WASHER M8
15. FOOT PEG END CAP
16. RETURN SPRING (OPTION) × 2
17. COLLAR 10 × 2
18. BUTTON HEAD M8 × 20mm

POSITIONS		
1	25mm Back	45mm Up
2	35mm Back	45mm Up
3	20mm Back	35mm Up
4	30mm Back	35mm Up
5	30mm Back	55mm Up
6	40mm Back	55mm Up

All measurements are in relation to stock position (0 mm)