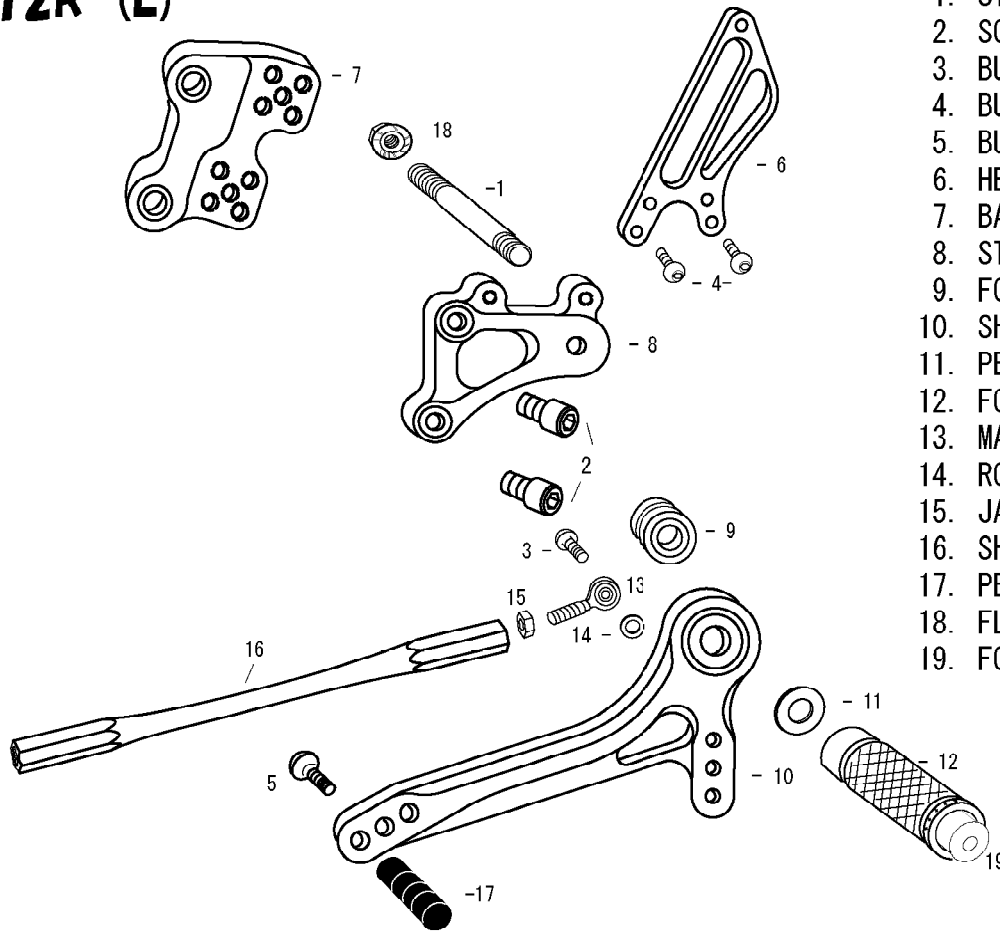


# ZX-12R (L)

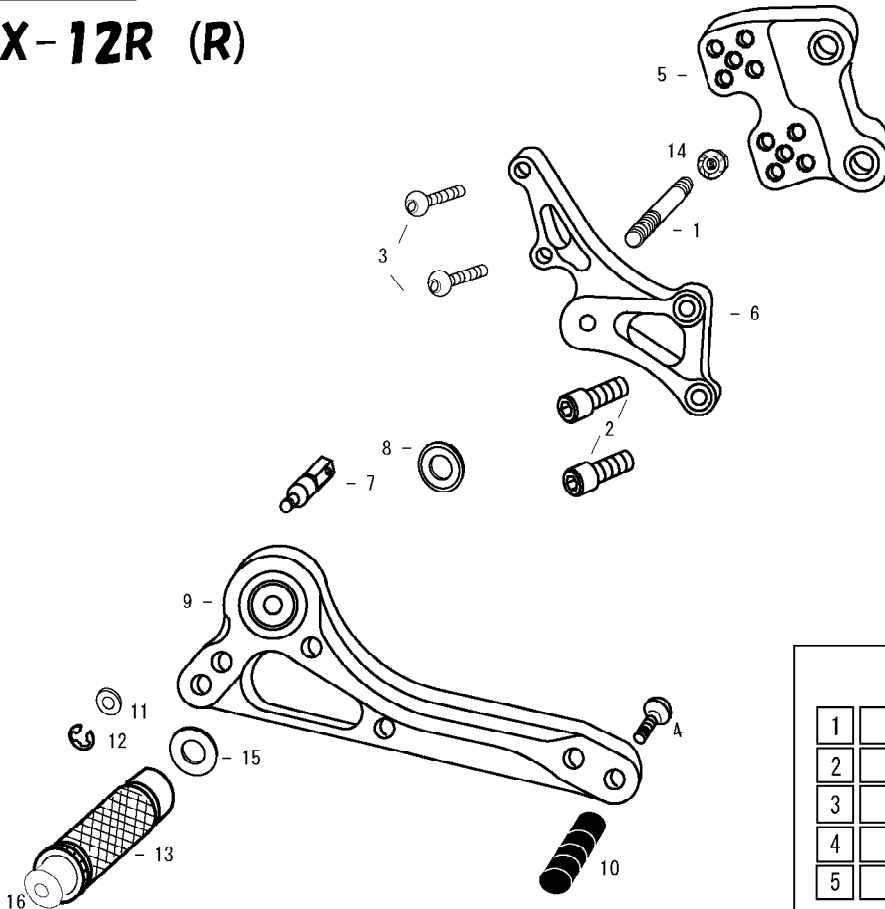


1. STUD BOLT LONG
2. SOCKET HEAD M8×15mm ×2
3. BUTTON HEAD M6×20mm
4. BUTTON HEAD M6×10mm ×2
5. BUTTON HEAD M6×20mm
6. HEEL GUARD [L] (HG3)
7. BASE PLATE [L]
8. STEP PLATE [L]
9. FOOT PEG BEARING COLLAR 12.5
10. SHIFT PEDAL 60 (SPD1)
11. PEG WASHER M8
12. FOOT PEG
13. MALE ROD END M6
14. ROD END COLLAR 3
15. JAM NUT M6
16. SHIFT ROD 195
17. PEDAL TIP DELRIN
18. FLANGE NUT M8
19. FOOT PEG END CAP

※ADJUST THE STOCK CHANGE ARM WHEN INSTALLING SATO REAR SETS.



# ZX-12R (R)



1. STUD BOLT SHORT
2. SOCKET HEAD M8×15mm ×2
3. BUTTON HEAD M8×25mm ×2
4. BUTTON HEAD M6×20mm
5. BASE PLATE [R]
6. STEP PLATE [R]
7. BRAKE ROD M40
8. BEARING COLLAR SUS
9. BRAKE PEDAL 105 (BPD4)
10. PEDAL TIP DELRIN
11. PLAIN WASHER M6
12. E CLIP M6
13. FOOT PEG
14. FLANGE NUT M8
15. PEG WASHER M8
16. FOOT PEG END CAP

POSITIONS		
1	15mm Back	35mm Up
2	15mm Back	20mm Up
3	22.5mm Back	27.5mm Up
4	30mm Back	35mm Up
5	30mm Back	20mm Up

All measurements are in relation to stock position (0 mm)