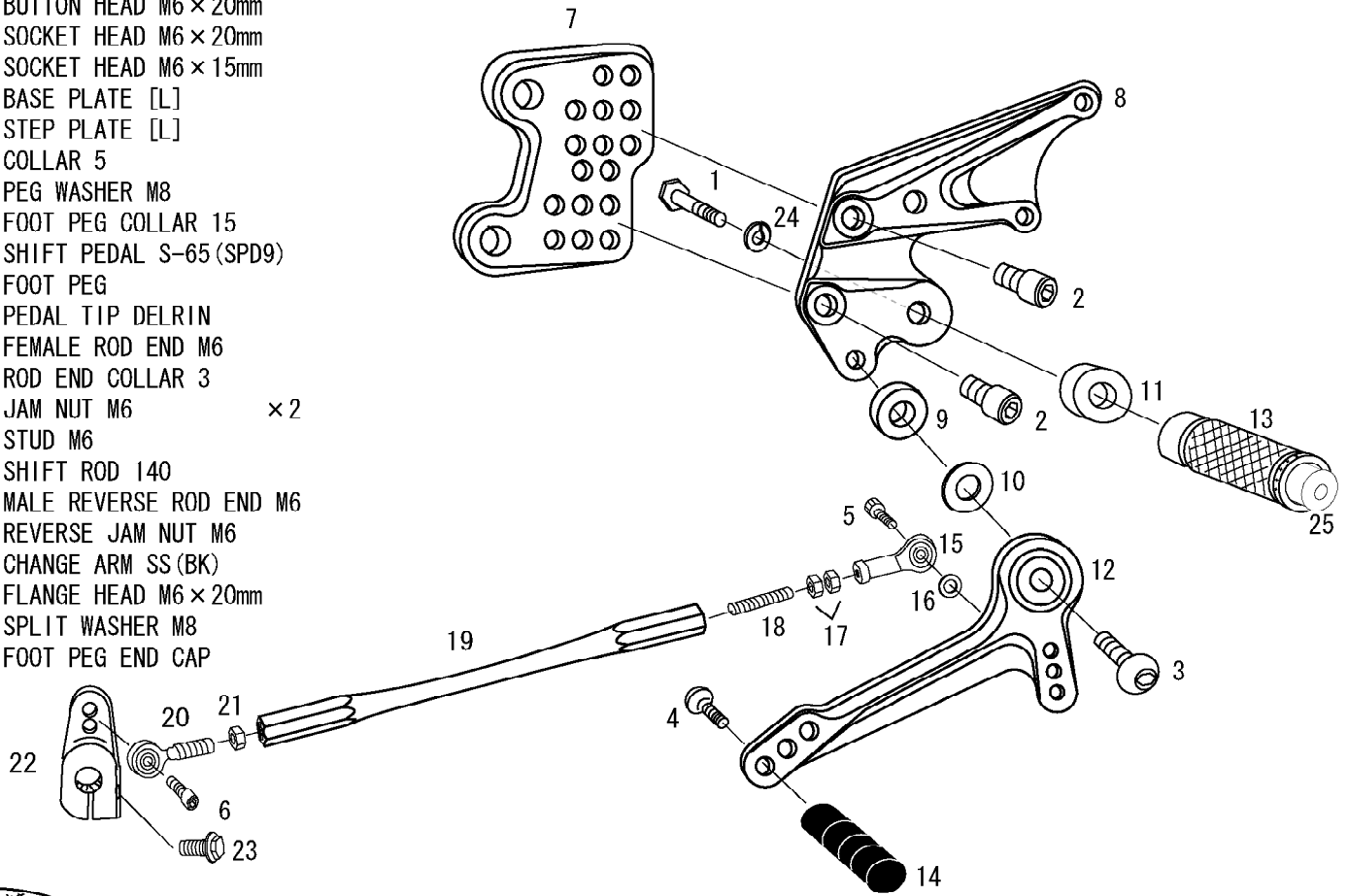


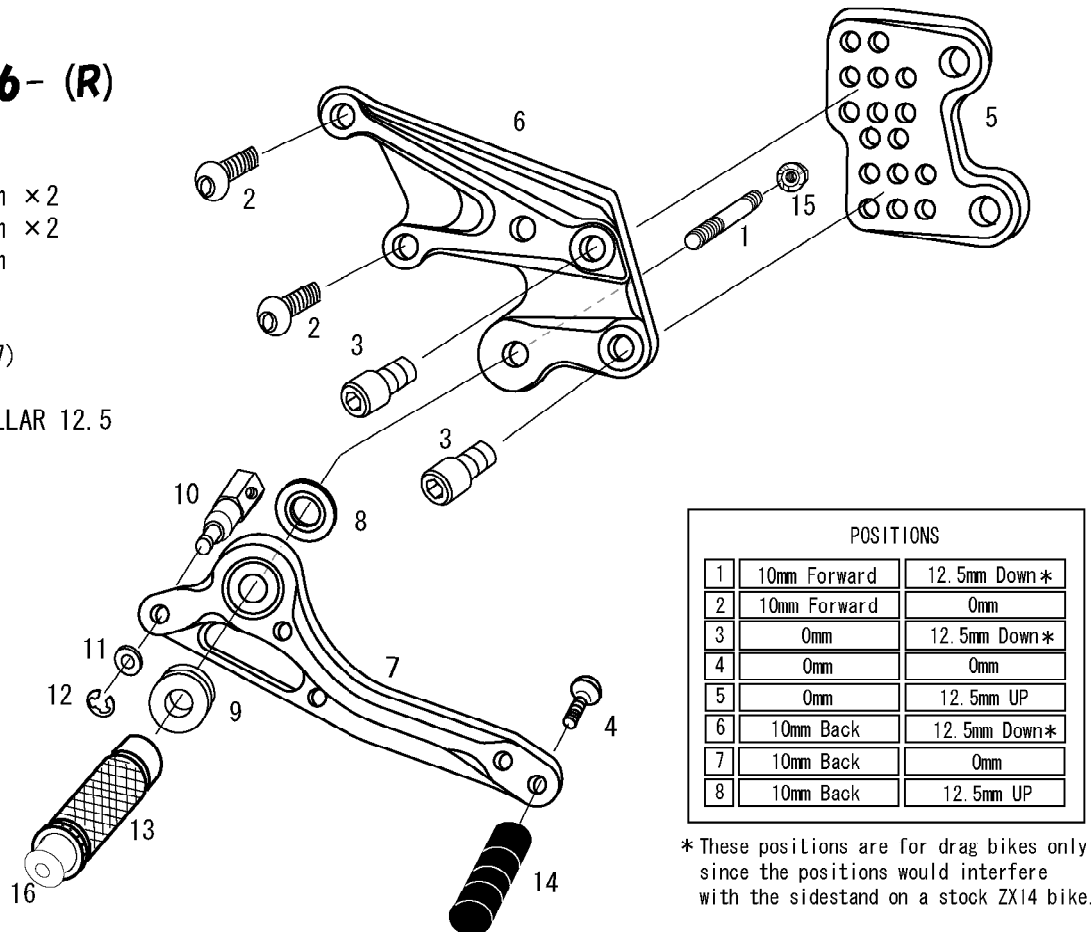
ZZR1400/ZX-14 '06- (L)

1. HEX BOLT M8×45mm
2. SOCKET HEAD M8×15mm ×2
3. BUTTON HEAD M8×30mm
4. BUTTON HEAD M6×20mm
5. SOCKET HEAD M6×20mm
6. SOCKET HEAD M6×15mm
7. BASE PLATE [L]
8. STEP PLATE [L]
9. COLLAR 5
10. PEG WASHER M8
11. FOOT PEG COLLAR 15
12. SHIFT PEDAL S-65 (SPD9)
13. FOOT PEG
14. PEDAL TIP DELRIN
15. FEMALE ROD END M6
16. ROD END COLLAR 3
17. JAM NUT M6 ×2
18. STUD M6
19. SHIFT ROD 140
20. MALE REVERSE ROD END M6
21. REVERSE JAM NUT M6
22. CHANGE ARM SS (BK)
23. FLANGE HEAD M6×20mm
24. SPLIT WASHER M8
25. FOOT PEG END CAP



ZZR1400/ZX-14 '06- (R)

1. STUD BOLT LONG
2. BUTTON HEAD M8×20mm ×2
3. SOCKET HEAD M8×15mm ×2
4. BUTTON HEAD M6×25mm
5. BASE PLATE [R]
6. STEP PLATE [R]
7. BRAKE PEDAL 130 (BPD7)
8. BEARING COLLAR SUS
9. FOOT PEG BEARING COLLAR 12.5
10. BRAKE ROD M40
11. WASHER M6
12. E CLIP M6
13. FOOT PEG
14. PEDAL TIP DELRIN
15. FLANGE NUT M8
16. FOOT PEG END CAP



POSITIONS		
1	10mm Forward	12.5mm Down*
2	10mm Forward	0mm
3	0mm	12.5mm Down*
4	0mm	0mm
5	0mm	12.5mm UP
6	10mm Back	12.5mm Down*
7	10mm Back	0mm
8	10mm Back	12.5mm UP

* These positions are for drag bikes only since the positions would interfere with the sidestand on a stock ZX14 bike.