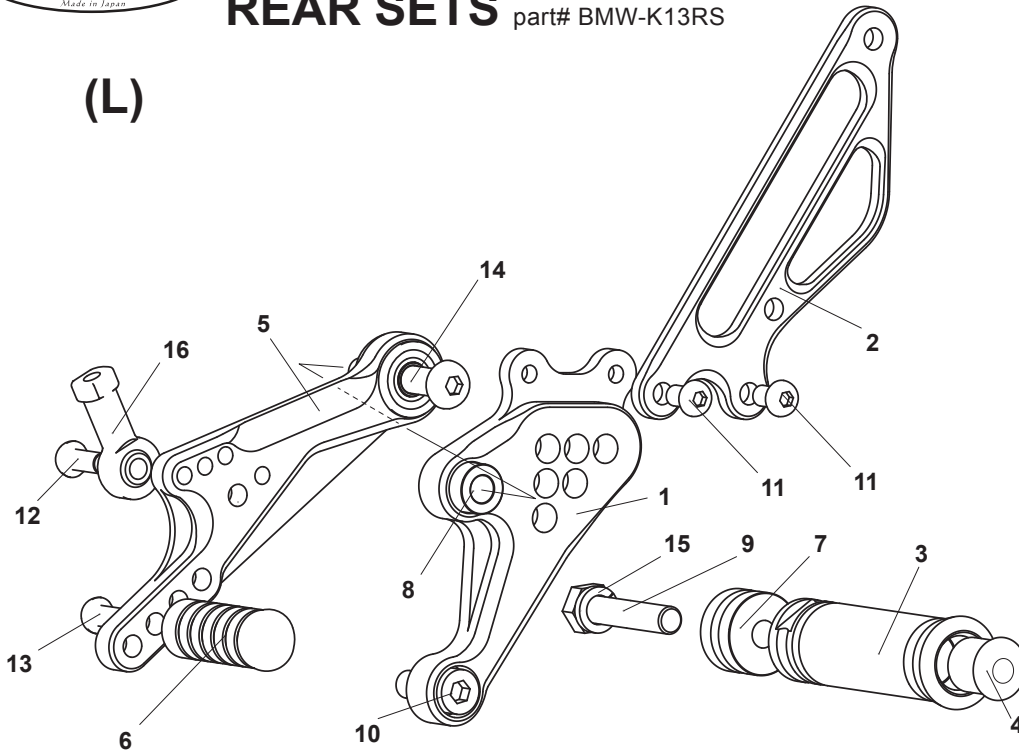


BMW K1300R/S (ABS model) REAR SETS part# BMW-K13RS

(L)



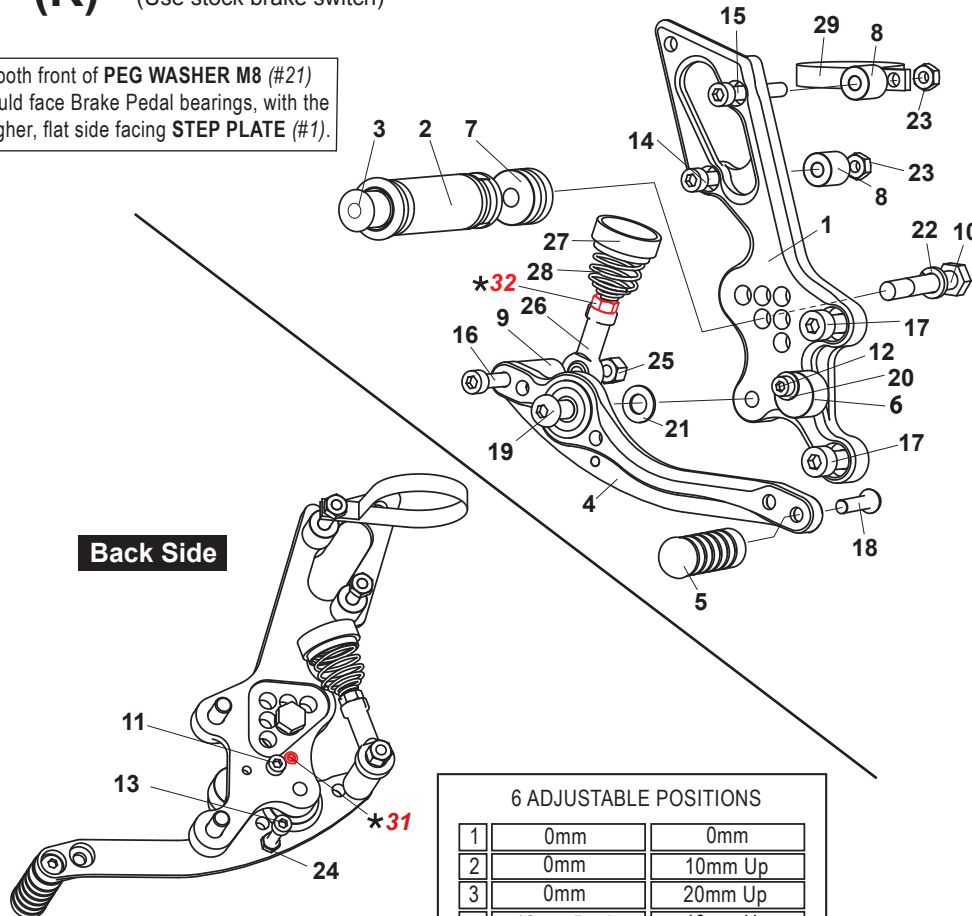
[L] SIDE

1. [L] STEP PLATE [BMW-K13SP-L]
2. [L] HEEL GUARD [HG-17L]
3. FOOT PEG [PEG]
4. FOOT PEG END CAP [ST-002]
5. SHIFT PEDAL CP110 [SPDK13]
6. PEDAL TIP (DELRIN) [ST-001D]
7. FOOT PEG COLLAR 15 [PEGCLR-15]
8. COLLAR 13(BK) [CLR-13]
9. HEX HEAD M8-40mm [HBT-M840]
10. SOCKET HEAD M8-20mm [SBT-M820]
11. BUTTON HEAD M6-10mm [BBT-M610] x 2
12. BUTTON HEAD M6-15mm [BBT-M615]
13. BUTTON HEAD M6-20mm [BBT-M620]
14. BUTTON HEAD M8-45mm [BBT-M845]
15. SPLIT WASHER M8 [SWS-8]
16. FEMALE ROD END M6 [RDED-F6]
17. BUTTON HEAD M6-15mm (Not Pictured) [BBT-M615]

(R)

(Use stock brake switch)

Smooth front of PEG WASHER M8 (#21) should face Brake Pedal bearings, with the rougher, flat side facing STEP PLATE (#1).



[R] SIDE

1. STEP PLATE [R] [BMW-K13SP-R]
 2. FOOT PEG [PEG]
 3. FOOT PEG END CAP [ST-002]
 4. BRAKE PEDAL [BPD-2]
 5. PEDAL TIP (DELRIN) [ST-001D]
 6. BRAKE PEDAL STOPPER (DELRIN) [BPD-STOPPER]
 7. FOOT PEG COLLAR 15 [PEGCLR-15]
 8. COLLAR 15-6(BK) [CLR-15-6] x 2
 9. COLLAR 30-6(BK) [CLR-30-6]
 10. HEX HEAD M8-40mm [HBT-M840]
 11. SOCKET HEAD M5-5mm [SBT-M55]
 12. SOCKET HEAD M5-20mm [SBT-M520]
 13. SOCKET HEAD M5-25mm [SBT-M525]
 14. SOCKET HEAD M6-35mm [SBT-M635]
 15. SOCKET HEAD M6-40mm [SBT-M640]
 16. SOCKET HEAD M6-55mm [SBT-M655]
 17. SOCKET HEAD M8-20mm [SBT-M820] x 2
 18. BUTTON HEAD M6-20mm [BBT-M620]
 19. BUTTON HEAD M8-25mm [BBT-M825]
 20. PLAIN WASHER M5 [WS-5]
 21. PEG WASHER M8 [PWS-8]
 22. SPLIT WASHER M8 [SWS-8]
 23. PLAIN NUT M6 [NUT-6] x 2
 24. PLAIN NUT M5 [NUT-5]
 25. LOCK NUT M6 [LNT-6]
 26. FEMALE ROD END M6 [RDED-F6]
 27. RETURN SPRING COLLAR (DELRIN) [RS-RSCLR]
 28. RETURN SPRING 40 [RS-RSP]
 29. CYLINDER CUP CLAMP (SV) [BMW-K12CUP]
- * 31. SET SCREW M6x12mm (STOCK)
* 32. NUT M6 (STOCK)

6 ADJUSTABLE POSITIONS		
1	0mm	0mm
2	0mm	10mm Up
3	0mm	20mm Up
4	10mm Back	10mm Up
5	10mm Back	20mm Up
6	20mm Back	20mm Up