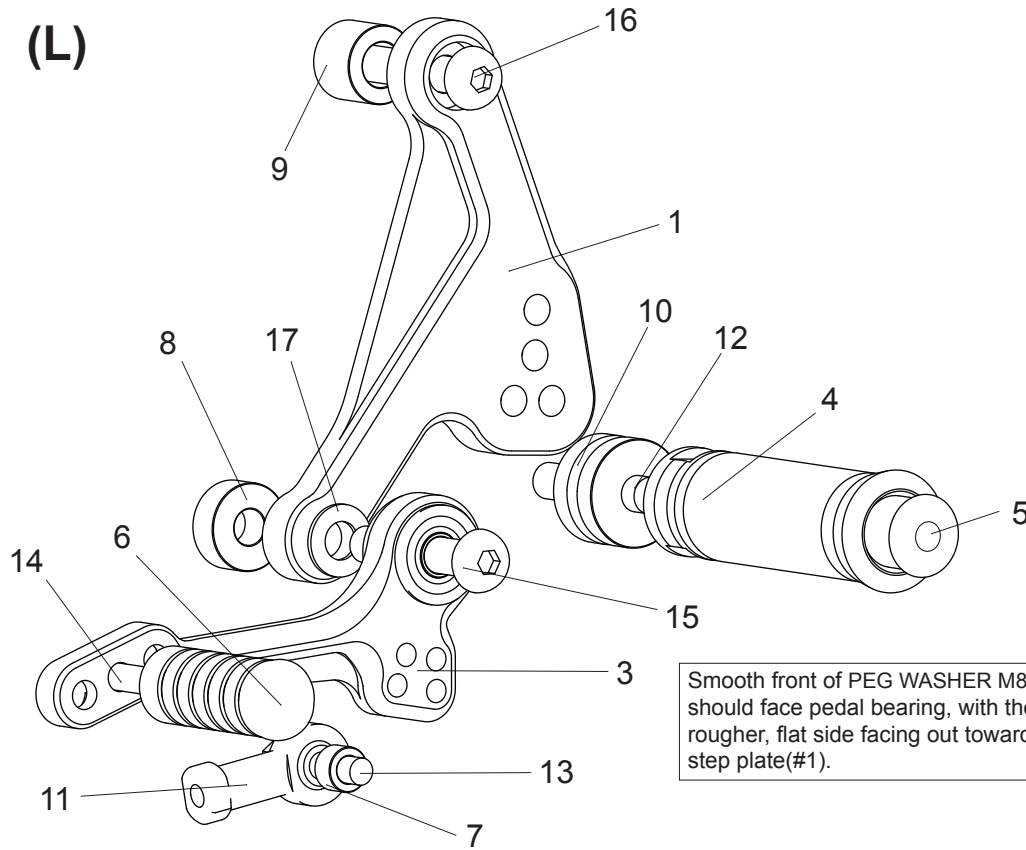


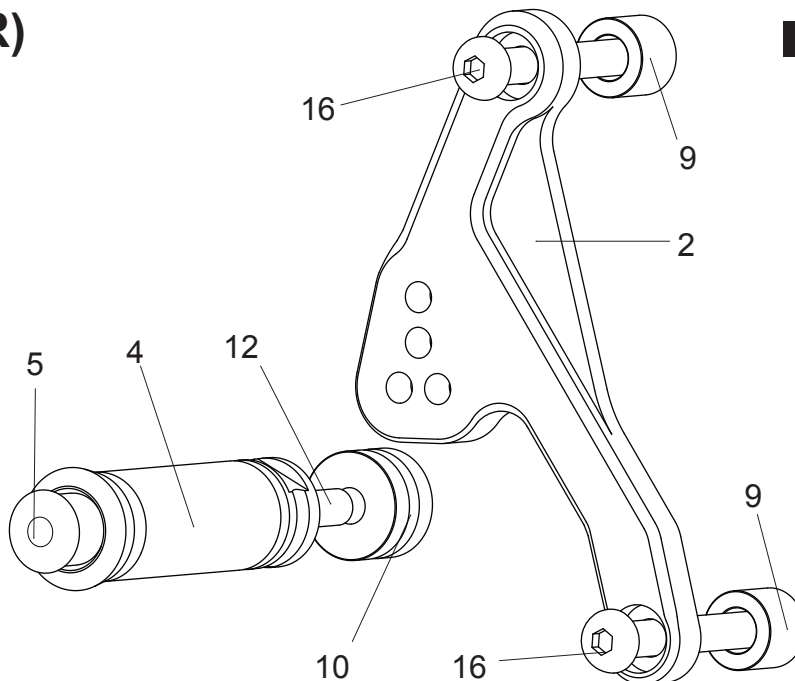
(L)



Smooth front of PEG WASHER M8 (#17) should face pedal bearing, with the rougher, flat side facing out toward step plate(#1).

1. STEP PLATE [L]
3. SHIFT PEDAL (SPD10)
4. FOOT PEG
5. FOOT PEG END CAP
6. PEDAL TIP
7. ROD END COLLAR 6(GD)
8. BASE PLATE COLLAR 8(BK)
9. COLLAR 14-10(BK)
10. FOOT PEG COLLAR 15
11. FEMALE ROD END M6
12. STUD BOLT M8-40mm
13. FLANGE HEAD M6-25mm
14. BUTTON HEAD M6-20mm
15. BUTTON HEAD M8-45mm
16. BUTTON HEAD M8-55mm
17. PEG WASHER M8

(R)



Use stock brake pedal.

2. STEP PLATE [R]
4. FOOT PEG
5. FOOT PEG END CAP
9. COLLAR 14-10(BK) x2
10. FOOT PEG COLLAR 15
12. STUD BOLT M8-40mm
16. BUTTON HEAD M8-55mm x2

Due to running improvements in the designs of Sato parts, some new replacement parts may look somewhat different than the original parts with the same part #. These slight differences are mostly cosmetic and have no effect on performance.