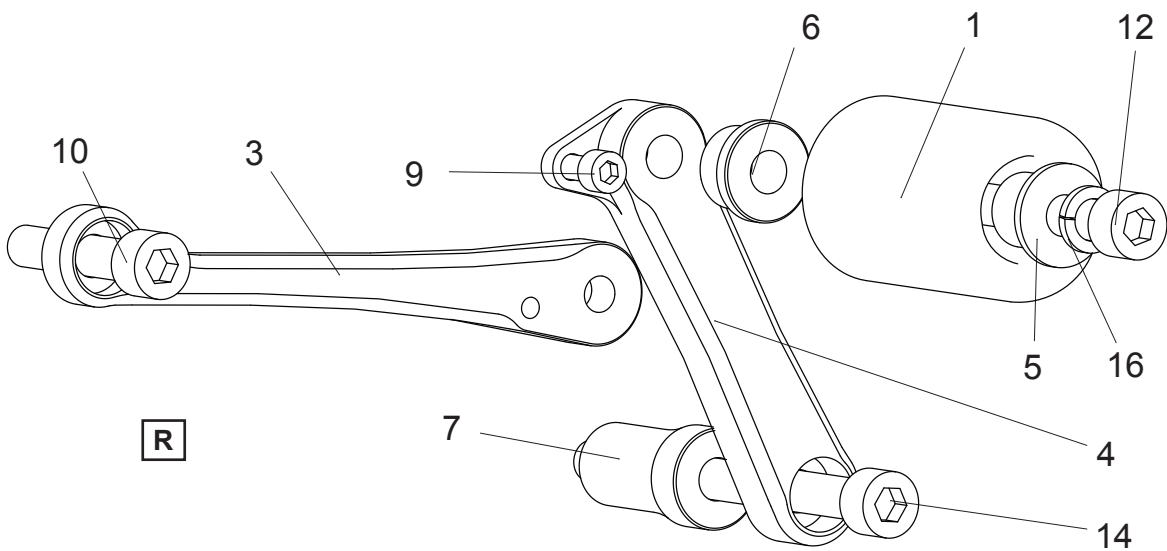
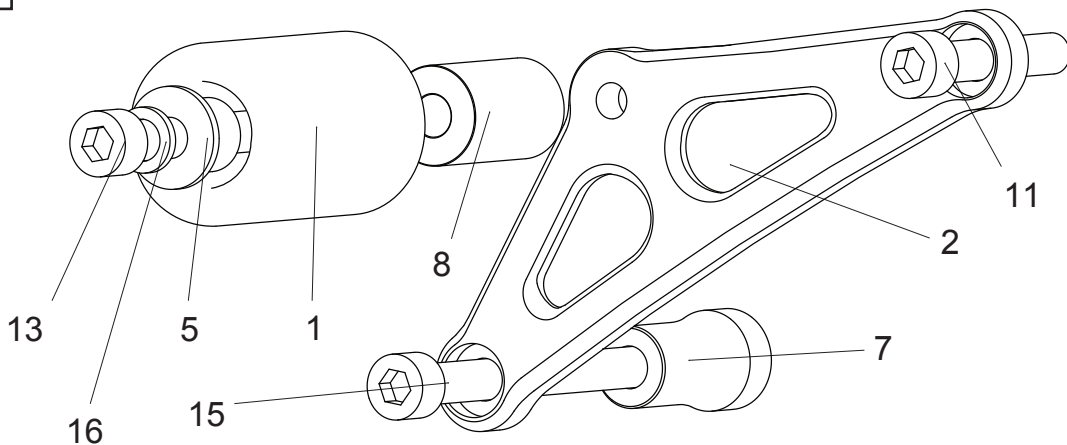


L



R

- | | |
|--|------------------------------|
| 1. SLIDER PUCK L72.5 (Qty:2) | 9. SOCKET HEAD M6×15 |
| 2. SLIDER BASE [L] | 10. SOCKET HEAD M10×50 |
| 3. SLIDER BASE R1 | 11. SOCKET HEAD M10×55 |
| 4. SLIDER BASE R2 | 12. SOCKET HEAD M10×65 |
| 5. [PRE-INSTALLED] COLLAR 2.5-15 (Qty:2) | 13. SOCKET HEAD M10×75 |
| 6. COLLAR 15-10 | 14. SOCKET HEAD M10×120 |
| 7. COLLAR 45-10 (Qty:2) | 15. SOCKET HEAD M10×130 |
| 8. COLLAR 40-10 | 16. SPLIT WASHER M10 (Qty:2) |