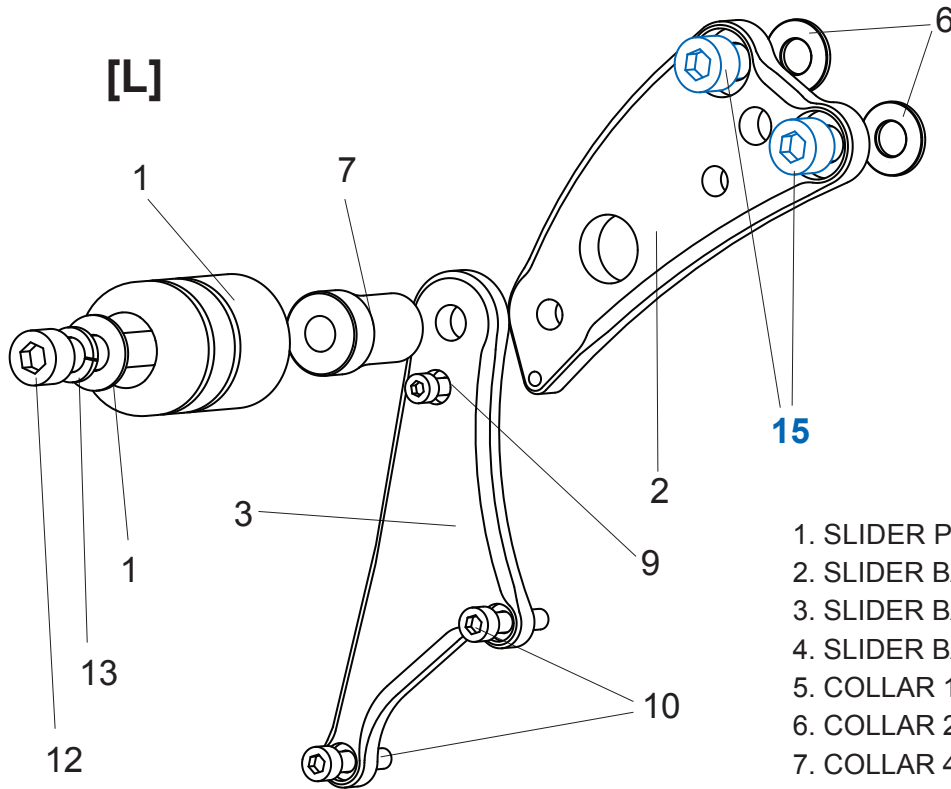


YAMAHA YZF-R3 (YZF-R25) ('15-)
FRAME SLIDERS - 'Type 1' (Racing version)

part# Y-R3FS1



- 1. SLIDER PUCK [SDR-L10MFJ-BK] x2
- 2. SLIDER BASE L1
- 3. SLIDER BASE L2
- 4. SLIDER BASE [R]
- 5. COLLAR 15-6
- 6. COLLAR 2-10 (BK) x2
- 7. COLLAR 40-10V (BK)
- 8. COLLAR 50-10V (BK)
- 9. SOCKET HEAD M5x15mm [SBT-M515]
- 10. SOCKET HEAD M6x30mm [SBT-M630] x2
- 11. SOCKET HEAD M6x45mm [SBT-M645]
- 12. SOCKET HEAD M10x80mm (P-1.25) [SBT-M1080] x2
- 13. SPLIT WASHER M10 [SWS-10] x2
- 14. WASHER M10 [WS-10] x2
- 15. BOLT (Stock Yamaha Part) x4**

