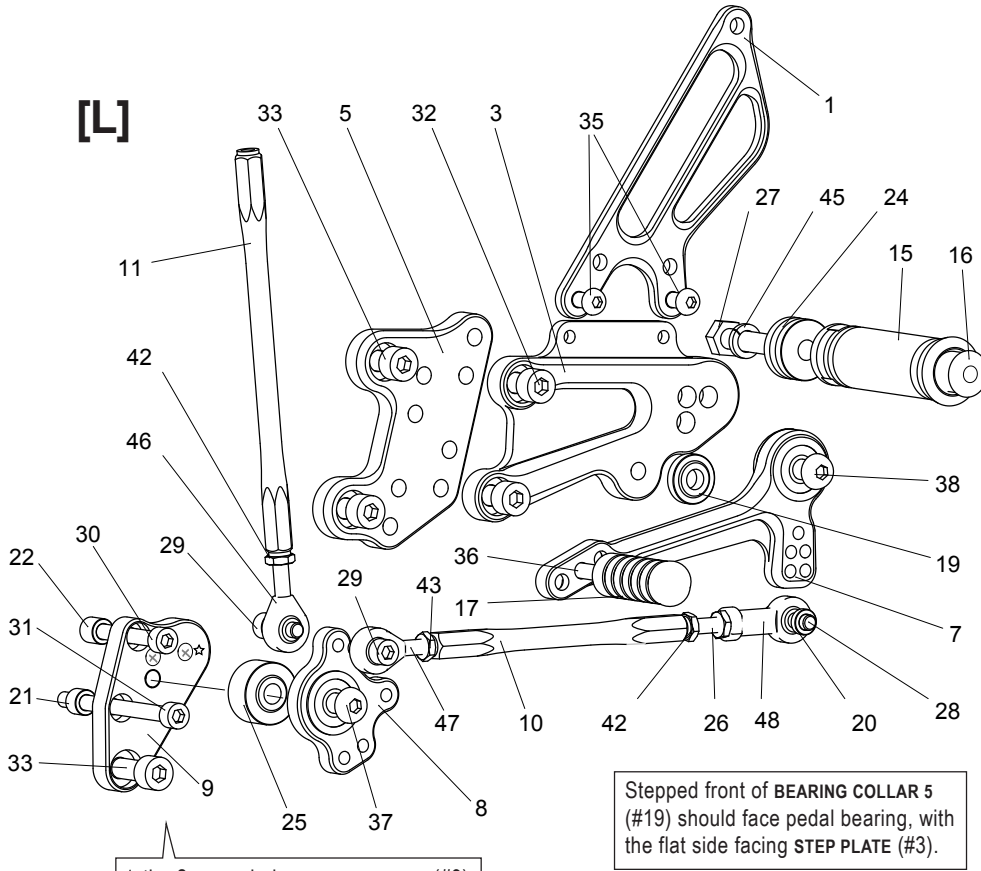


HONDA CBR600RR ('07-'08, '13-) (non-ABS) REAR SETS

part# H-CBR613RS

v 2 design update 7/14

[L] SIDE



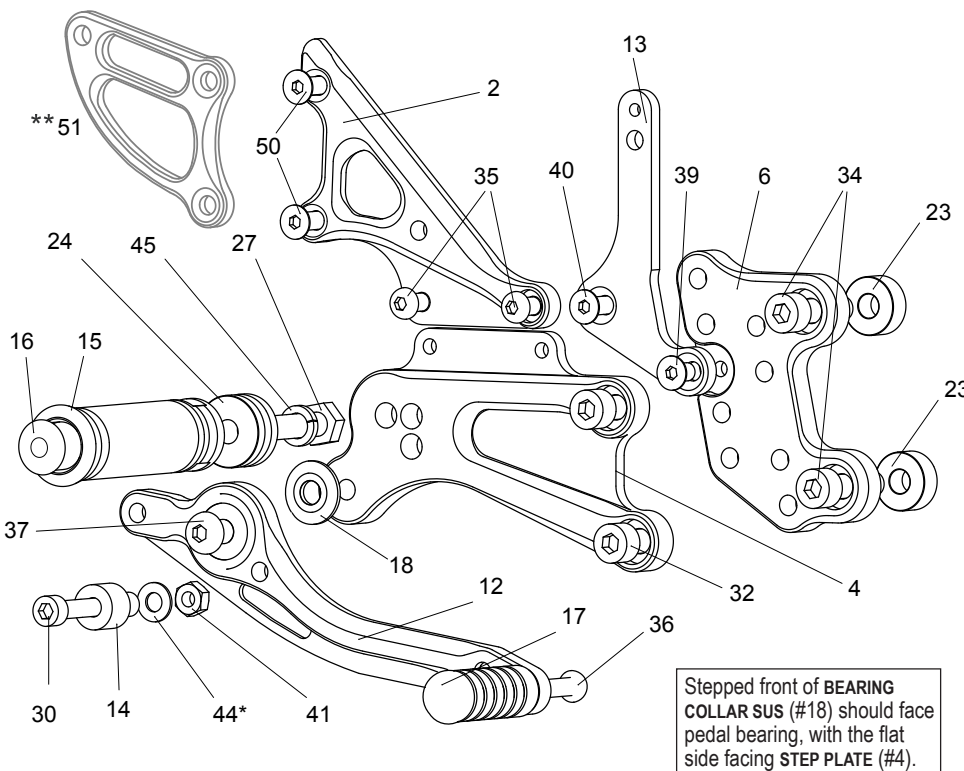
1. HEEL GUARD [L] [HG-3L]
3. (L) STEP PLATE [H-CBR613SP-L]
5. (L) BASE PLATE [H-CBR613BP-L]
7. SHIFT PEDAL [SPD-0912]
8. SHIFT LINK (BK)
9. SHIFT BASE (BK) [SB-H2]
10. SHIFT ROD 120 [SRD-120]
11. SHIFT ROD 160 (BK) [SRD-160B]
15. FOOT PEG [PEG]
16. FOOT PEG END CAP [ST-002]
17. PEDAL TIP (DELRIN) [ST-001D]
19. FOOT PEG BEARING COLLAR 5 [PEGBGCLR-5]
20. ROD END COLLAR 3 (GD) [RDED-CLR3]
21. COLLAR 7-6 [CLR-7-6]
22. COLLAR 9-6 [CLR-9-6]
24. FOOT PEG COLLAR 12 [PEGCLR-12]
25. COLLAR 12.5 (BK) [BGCLR-125]
26. STUD BOLT M6 [STUD-M6]
27. HEX HEAD M8x40 [HBT-M840]
28. SOCKET HEAD M6x20 [SBT-M620]
29. SOCKET HEAD M6x18 [SBT-M618] (x2)
30. SOCKET HEAD M6x40 [SBT-M640]
31. SOCKET HEAD M6x75 [SBT-M675]
32. SOCKET HEAD M8x15 [SBT-M815] (x2)
33. SOCKET HEAD M8x20 [SBT-M820] (x2)
35. BUTTON HEAD M6x10 [BBT-M610] (x2)
36. BUTTON HEAD M6x20 [BBT-M620]
37. BUTTON HEAD M8x35 [BBT-M835]
38. BUTTON HEAD M8x30 [BBT-M830]
42. JAM NUT M6 [JNT-6] (x3)
43. REVERSE JAM NUT M6 [JNT-6L]
45. SPLIT WASHER M8 [SWS-8]
46. MALE ROD END M6 [RDED-M6]
47. REVERSE MALE ROD END M6 [RDED-M6L]
48. FEMALE ROD END M6 [RDED-F6]

☆ the 2 upper holes on SHIFT BASE (#9) are not for use with these Rear Sets.

Stepped front of BEARING COLLAR 5 (#19) should face pedal bearing, with the flat side facing STEP PLATE (#3).

Due to running improvements in the designs of Sato parts, some new replacement parts may look somewhat different than the original parts with the same part #. These slight differences are mostly cosmetic and have no effect on performance.

[R] P-1.25 Brake Light Switch is included in kit



[R] SIDE

2. MASTER STAY [H-CBR613MS]
4. (R) STEP PLATE [H-CBR613SP-R]
6. (R) BASE PLATE [H-CBR613BP-R]
12. BRAKE PEDAL 165 [BPD-3]
13. HEAT GUARD STAY (BK)
14. BRAKE ROD COLLAR 22(BK) [RDEDCLR-22]
15. FOOT PEG [PEG]
16. FOOT PEG END CAP [ST-002]
17. PEDAL TIP (DELRIN) [ST-001D]
18. BEARING COLLAR SUS [BGCLR-SUS]
23. BASE PLATE COLLAR 8(BK) [BPCLR-8] (x2)
24. FOOT PEG COLLAR 12 [PEGCLR-12]
27. HEX HEAD M8x40 [HBT-M840]
30. SOCKET HEAD M6x40 [SBT-M640]
32. SOCKET HEAD M8x15 [SBT-M815] (x2)
34. SOCKET HEAD M8x30 [SBT-M830] (x2)
35. BUTTON HEAD M6x10 [BBT-M610] (x2)
36. BUTTON HEAD M6x20 [BBT-M620]
37. BUTTON HEAD M8x25 [BBT-M825]
39. FLAT HEAD M6x10 [FBT-M810]
40. FLAT HEAD M6x15 [FBT-M615]
41. NUT M6 [NUT-6]
44. WASHER M6* [WS-6]
45. SPLIT WASHER M8 [SWS-8]
49. RETURN SPRING 40 [RS-RSP] (not pictured)
50. FLAT HEAD M6x20 [FBT-M620] (x2)
- ** 51. HEEL GUARD [R] [HG-CBR6] (optional part)

Stepped front of BEARING COLLAR SUS (#18) should face pedal bearing, with the flat side facing STEP PLATE (#4).

*A second WASHER M6 (#44) is included in kit. Use only if you need more clearance.