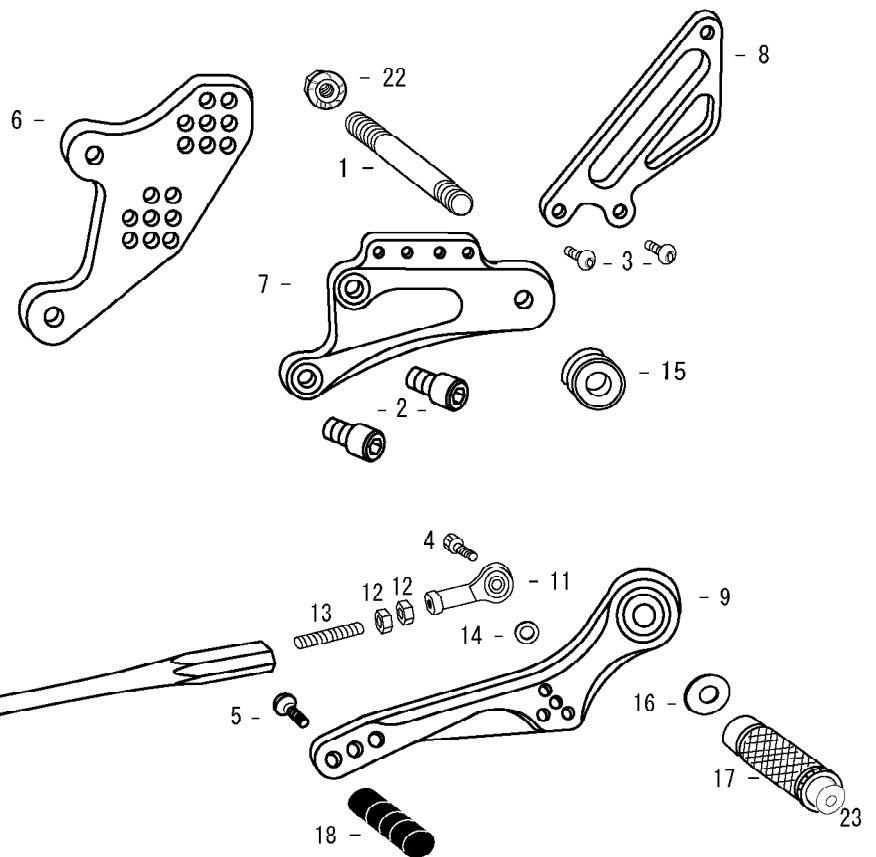


YZF-R1'04-'06 [RACING VERSION] (L)

1. STUD BOLT LONG
2. SOCKET HEAD M8×15mm ×2
3. BUTTON HEAD M6×10mm ×2
4. SOCKET HEAD M6×20mm
5. BUTTON HEAD M6×25mm
6. BASE PLATE [L]
7. STEP PLATE [L]
8. HEEL GUARD [L] (HG8)
9. SHIFT PEDAL (SPD4)
10. SHIFT ROD 230
11. FEMALE REVERSE ROD END M6
12. REVERSE JAM NUT M6 ×2
13. REVERSE STUD M6
14. ROD END COLLAR 3
15. FOOT PEG BEARING COLLAR 12.5
16. PEG WASHER M8
17. FOOT PEG
18. PEDAL TIP DELRIN
19. SOCKET HEAD M6×20mm
20. FLANGE HEAD M6×20mm
21. CHANGE ARM L (BK)
22. FLANGE NUT M8
23. FOOT PEG END CAP

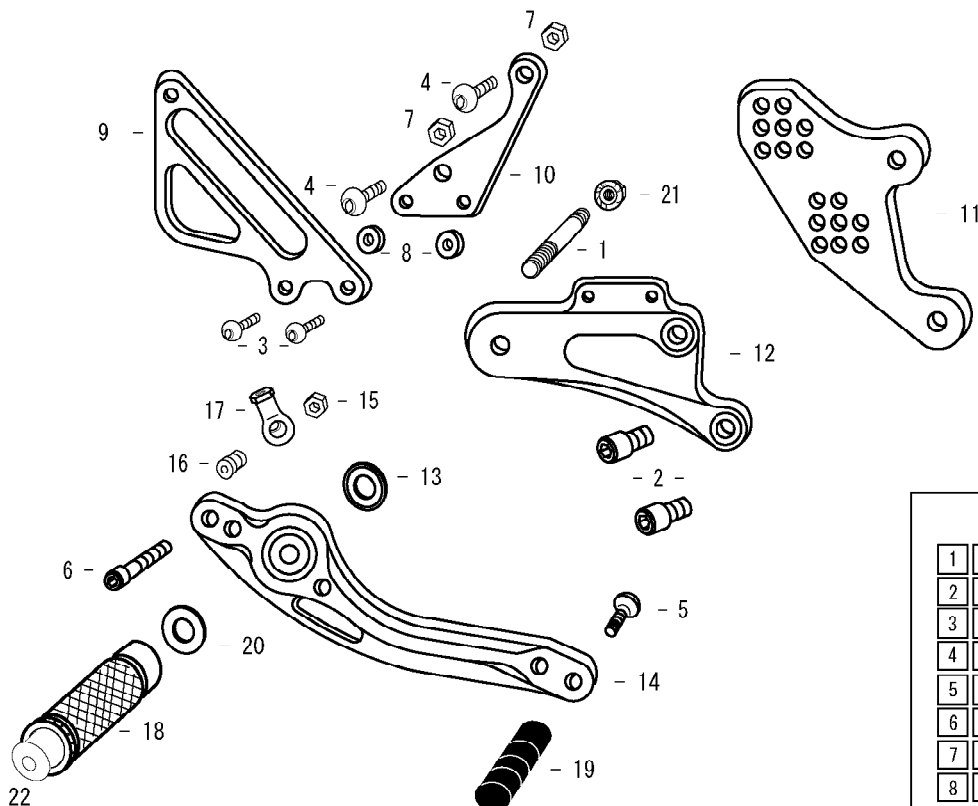


★USE STOCK NUTS , WASHER AND ROD END.



YZF-R1'04-'06 [RACING VERSION] (R)

1. STUD BOLT SHORT
2. SOCKET HEAD M8×15mm ×2
3. BUTTON HEAD M6×20mm ×2
4. BUTTON HEAD M8×30mm ×2
5. BUTTON HEAD M6×25mm
6. SOCKET HEAD M6×40mm
7. PLAIN NUT M8 ×2
8. HEEL GUARD COLLAR 5(BK)×2
9. HEEL GUARD [R] (HG10)
10. MASTER STAY
11. BASE PLATE [R]
12. STEP PLATE [R]
13. BEARING COLLAR SUS
14. BRAKE PEDAL 180(BPD2)
15. PLAIN NUT M6
16. BRAKE ROD COLLAR 15(BK)
17. M6-8 FEMALE ROD END
18. FOOT PEG
19. PEDAL TIP DELRIN
20. PEG WASHER M8
21. FLANGE NUT M8
22. FOOT PEG END CAP



POSITIONS

1	10mm Forward	40mm Up
2	10mm Forward	50mm Up
3	0mm	40mm Up
4	0mm	50mm Up
5	0mm	60mm Up
6	10mm Back	40mm Up
7	10mm Back	50mm Up
8	10mm Back	60mm Up

All measurements are in relation to stock position (0 mm)