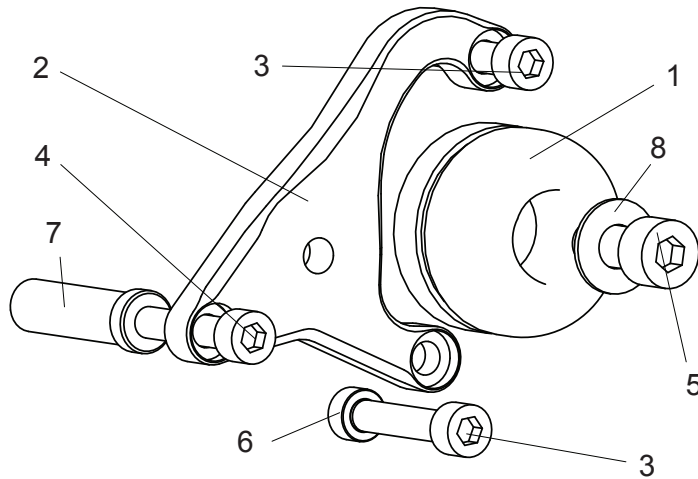


[R] ENGINE SLIDER

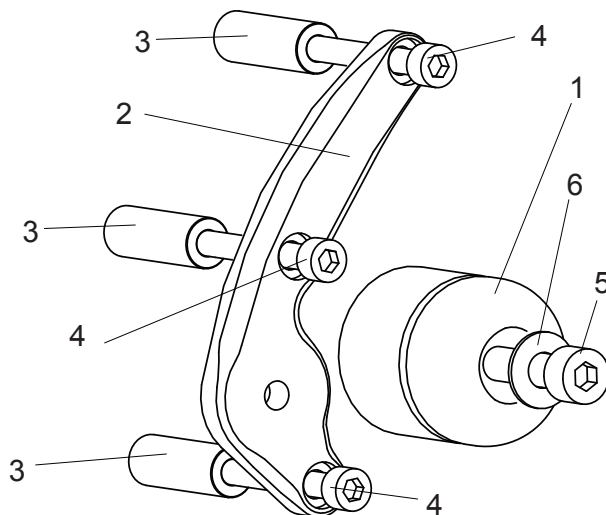
part# T-ST67513ESR



1. SLIDER PUCK [SDR-S8MFJ-BK]
2. SLIDER BASE [R]
3. SOCKET HEAD M6x30mm [SBT-M630] x 2
4. SOCKET HEAD M6x70mm [SBT-M670]
5. SOCKET HEAD M8x20mm [SBT-M820]
6. COLLAR 5-6 [CLR-5-6]
7. COLLAR 40-6-S12
8. WASHER M8 [WS-8]

[L] ENGINE SLIDER

part# T-ST67513ESL



1. SLIDER PUCK [SDR-M8MFJ-BK]
2. SLIDER BASE [L]
3. COLLAR 35-6 [CLR-35-6] x 3
4. SOCKET HEAD M6x65mm [SBT-M665] x 3
5. SOCKET HEAD M8x30mm [SBT-M830]
6. WASHER M8 [WS-8]